
The Objective-C 2.0 Programming Language



2007-10-31



Apple Inc.
© 2007 Apple Inc.
All rights reserved.

No part of this publication may be reproduced, stored in a retrieval system, or transmitted, in any form or by any means, mechanical, electronic, photocopying, recording, or otherwise, without prior written permission of Apple Inc., with the following exceptions: Any person is hereby authorized to store documentation on a single computer for personal use only and to print copies of documentation for personal use provided that the documentation contains Apple's copyright notice.

The Apple logo is a trademark of Apple Inc.

Use of the "keyboard" Apple logo (Option-Shift-K) for commercial purposes without the prior written consent of Apple may constitute trademark infringement and unfair competition in violation of federal and state laws.

No licenses, express or implied, are granted with respect to any of the technology described in this document. Apple retains all intellectual property rights associated with the technology described in this document. This document is intended to assist application developers to develop applications only for Apple-labeled or Apple-licensed computers.

Every effort has been made to ensure that the information in this document is accurate. Apple is not responsible for typographical errors.

Apple Inc.
1 Infinite Loop
Cupertino, CA 95014
408-996-1010

Apple, the Apple logo, Bonjour, Cocoa, Mac, Mac OS, Objective-C, and Xcode are trademarks of Apple Inc., registered in the United States and other countries.

Java and all Java-based trademarks are trademarks or registered trademarks of Sun Microsystems, Inc. in the U.S. and other countries.

Times is a registered trademark of Heidelberger Druckmaschinen AG, available from Linotype Library GmbH.

Simultaneously published in the United States and Canada.

Even though Apple has reviewed this document, APPLE MAKES NO WARRANTY OR REPRESENTATION, EITHER EXPRESS OR IMPLIED, WITH RESPECT TO THIS DOCUMENT, ITS QUALITY, ACCURACY, MERCHANTABILITY, OR FITNESS FOR A PARTICULAR PURPOSE. AS A RESULT, THIS DOCUMENT IS PROVIDED "AS IS," AND YOU, THE READER, ARE ASSUMING THE ENTIRE RISK AS TO ITS QUALITY AND ACCURACY.

IN NO EVENT WILL APPLE BE LIABLE FOR DIRECT, INDIRECT, SPECIAL, INCIDENTAL, OR CONSEQUENTIAL DAMAGES RESULTING FROM ANY DEFECT OR INACCURACY IN THIS DOCUMENT, even if advised of the possibility of such damages.

THE WARRANTY AND REMEDIES SET FORTH ABOVE ARE EXCLUSIVE AND IN LIEU OF ALL OTHERS, ORAL OR WRITTEN, EXPRESS OR IMPLIED. No Apple dealer, agent, or employee is authorized to make any modification, extension, or addition to this warranty.

Some states do not allow the exclusion or limitation of implied warranties or liability for incidental or consequential damages, so the above limitation or exclusion may not apply to you. This warranty gives you specific legal rights, and you may also have other rights which vary from state to state.

Contents

Introduction [Introduction to The Objective-C 2.0 Programming Language](#) 11

[Who Should Read This Document](#) 12
[Organization of This Document](#) 12
[Conventions](#) 13
[See Also](#) 13

Chapter 1 [Objects and Classes](#) 15

[Objects](#) 15
 [id](#) 15
 [Dynamic Typing](#) 16
[Object Messaging](#) 16
 [Message Syntax](#) 17
 [Sending Messages to nil](#) 18
 [The Receiver’s Instance Variables](#) 18
 [Polymorphism](#) 19
 [Dynamic Binding](#) 19
[Classes](#) 20
 [Inheritance](#) 20
 [Class Types](#) 23
 [Class Objects](#) 25
 [Class Names in Source Code](#) 29

Chapter 2 [Defining a Class](#) 31

[Source Files](#) 31
[Class Interface](#) 32
 [Importing the Interface](#) 33
 [Referring to Other Classes](#) 33
 [The Role of the Interface](#) 34
[Class Implementation](#) 34
 [Referring to Instance Variables](#) 35
 [The Scope of Instance Variables](#) 36

Chapter 3 [Categories and Extensions](#) 41

[Adding Methods to Classes](#) 41

How you Use Categories 42
 Categories of the Root Class 43
 Extensions 43

Chapter 4 Properties 45

Overview 45
 Motivation 45
 Declaring Properties 46
 Accessing Properties 46
 Property Declaration and Implementation 46
 Property Declaration 47
 Property Implementation Directives 47
 Property Declaration Attributes 48
 Property Re-declaration 50
 Performance and Threading 50
 Markup and Deprecation 51
 Core Foundation 51
 Example 52
 The Dot Syntax 53
 Overview 53
 nil Values 55
 self 55
 Performance and Threading 55
 Usage Summary 55
 Abusage Summary 56
 Properties and Key-Value Coding 57
 Subclassing with Properties 57
 Property Introspection 58
 Runtime Differences 59

Chapter 5 Protocols 61

Declaring Interfaces for Others to Implement 61
 Methods for Others to Implement 62
 Declaring Interfaces for Anonymous Objects 63
 Non-Hierarchical Similarities 63
 Formal Protocols 64
 Declaring a Protocol 64
 Optional Protocol Methods 65
 Informal Protocols 65
 Protocol Objects 66
 Adopting a Protocol 66
 Conforming to a Protocol 67
 Type Checking 68
 Protocols Within Protocols 68

Referring to Other Protocols 69

Chapter 6 **Fast Enumeration** 71

The for...in Feature 71

 Using Fast Enumeration 72

 Implementing the NSFastEnumeration Protocol 72

Chapter 7 **How Messaging Works** 75

The objc_msgSend Function 75

Selectors 78

 Methods and Selectors 78

 Method Return and Argument Types 79

 Varying the Message at Runtime 79

 The Target-Action Design Pattern 79

 Avoiding Messaging Errors 80

 Dynamic Method Resolution 81

Using Hidden Arguments 81

Messages to self and super 82

 An Example 83

 Using super 84

 Redefining self 85

Chapter 8 **Enabling Static Behavior** 87

Static Typing 87

 Type Checking 88

 Return and Argument Types 89

 Static Typing to an Inherited Class 89

Getting a Method Address 90

Chapter 9 **Exception Handling** 91

Handling Exceptions 91

 Throwing Exceptions 92

 Processing Exceptions 92

Chapter 10 **Threading** 95

Synchronizing Thread Execution 95

Chapter 11 **Using C++ With Objective-C** 97

Overview 97

Mixing Objective-C and C++ Language Features 97

C++ Lexical Ambiguities and Conflicts 100

Chapter 12 **The Runtime System** 103

Interacting with the Runtime System 103
Allocating and Initializing Objects 104
 The Returned Object 105
 Arguments 106
 Coordinating Classes 106
 The Designated Initializer 108
 Combining Allocation and Initialization 110
Memory Management 111
Forwarding 112
 Forwarding and Multiple Inheritance 113
 Surrogate Objects 114
 Forwarding and Inheritance 115
Dynamic Method Resolution 116
Dynamic Loading 117
Remote Messaging 117
 Distributed Objects 118
 Language Support 119
Type Encodings 123

Appendix A **Language Summary** 127

Messages 127
Defined Types 127
Preprocessor Directives 128
Compiler Directives 128
Classes 130
Categories 130
Deprecation Syntax 131
Formal Protocols 131
Method Declarations 132
Method Implementations 132
Naming Conventions 133

Appendix B **Grammar** 135

External Declarations 136
Type Specifiers 139
Type Qualifiers 139
Primary Expressions 140
Exceptions 141
Synchronization 141

C O N T E N T S

[Glossary](#) 143

[Document Revision History](#) 147

[Index](#) 149

C O N T E N T S

Figures, Tables, and Listings

Chapter 1 **Objects and Classes** 15

- Figure 1-1 Some Drawing Program Classes 21
- Figure 1-2 Rectangle Instance Variables 22
- Figure 1-3 Inheritance hierarchy for NSCell 27
- Listing 1-1 Implementation of the initialize method 29

Chapter 2 **Defining a Class** 31

- Figure 2-1 The scope of instance variables 37

Chapter 4 **Properties** 45

- Listing 4-1 Declaring properties in a class 46
- Listing 4-2 Using @synthesize 47
- Listing 4-3 Using @dynamic with direct method implementations 48
- Listing 4-4 Declaring properties for a class 52
- Listing 4-5 Accessing properties using the dot syntax 54
- Listing 4-6 Accessing properties using accessor methods 54

Chapter 7 **How Messaging Works** 75

- Figure 7-1 Messaging Framework 77
- Figure 7-2 High, Mid, Low 83

Chapter 9 **Exception Handling** 91

- Listing 9-1 An exception handler 92

Chapter 10 **Threading** 95

- Listing 10-1 Locking a method using self 95
- Listing 10-2 Locking a method using _cmd 96
- Listing 10-3 Locking a method using a custom semaphore 96

Chapter 11 **Using C++ With Objective-C** 97

- Listing 11-1 Using C++ and Objective-C instances as instance variables 97

Chapter 12 **The Runtime System** 103

Figure 12-1	Incorporating an Inherited Initialization Method	107
Figure 12-2	Covering an Inherited Initialization Model	108
Figure 12-3	Covering the Designated Initializer	109
Figure 12-4	Initialization Chain	110
Figure 12-5	Forwarding	114
Figure 12-6	Remote Messages	118
Figure 12-7	Round-Trip Message	120
Table 12-1	Objective-C type encodings	123
Table 12-2	Objective-C method encodings	125

Introduction to The Objective-C 2.0 Programming Language

An object-oriented approach to application development makes programs more intuitive to design, faster to develop, more amenable to modification, and easier to understand. Most object-oriented development environments consist of at least three parts:

- An object-oriented programming language and support library
- A library of objects
- A set of development tools

This document is about the first component of the development environment—the programming language and its runtime environment. It fully describes the Objective-C language, and provides a foundation for learning about the second component, the Mac OS X Objective-C application frameworks—collectively known as Cocoa. You can start to learn more about Cocoa by reading *Getting Started with Cocoa*. The two main development tools you use are Xcode and Interface Builder, described in *Xcode User Guide* and *Interface Builder* respectively.

Important: This document describes version 2.0 of the Objective-C language which is released with Mac OS X v10.5. Several new features are introduced in this version, including properties (see “[Properties](#)” (page 45)), fast enumeration (see “[Fast Enumeration](#)” (page 71)), optional protocols, and (on 64-bit platforms) non-fragile instance variables. These features are not available on versions of Mac OS X prior to 10.5. If you use these features, therefore, your application cannot run on versions of Mac OS X prior to 10.5. To learn about version 1.0 of the Objective-C language, read *Object Oriented Programming and the Objective-C Programming Language 1.0*.

The Objective-C language is a simple computer language designed to enable sophisticated object-oriented programming. Objective-C is defined as a small but powerful set of extensions to the standard ANSI C language. Its additions to C are mostly based on Smalltalk, one of the first object-oriented programming languages. Objective-C is designed to give C full object-oriented programming capabilities, and to do so in a simple and straightforward way.

For those who have never used object-oriented programming to create applications before, this document is also designed to help you become familiar with object-oriented development. It spells out some of the implications of object-oriented design and gives you a flavor of what writing an object-oriented program is really like.

Who Should Read This Document

The document is intended for readers who might be interested in:

- Learning about object-oriented programming
- Finding out about the basis for the Cocoa application framework
- Programming in Objective-C

This document both introduces the object-oriented model that Objective-C is based upon and fully documents the language. It concentrates on the Objective-C extensions to C, not on the C language itself.

Because this isn't a document about C, it assumes some prior acquaintance with that language. However, it doesn't have to be an extensive acquaintance. Object-oriented programming in Objective-C is sufficiently different from procedural programming in ANSI C that you won't be hampered if you're not an experienced C programmer.

Organization of This Document

This document is divided into several chapters and two appendixes.

The following chapters describe the Objective-C language. They cover all the features that the language adds to standard C and C++. These chapters present the language, but also touch on important elements of the runtime system.

- [“Objects and Classes”](#) (page 15)
- [“Defining a Class”](#) (page 31)
- [“Properties”](#) (page 45)
- [“Protocols”](#) (page 61)
- [“Fast Enumeration”](#) (page 71)
- [“How Messaging Works”](#) (page 75)
- [“Enabling Static Behavior”](#) (page 87)
- [“Exception Handling”](#) (page 91)
- [“Threading”](#) (page 95)

The Apple compilers are based on the compilers of the GNU Compiler Collection. Objective-C syntax is a superset of GNU C/C++ syntax, and the Objective-C compiler works for C, C++ and Objective-C source code. The compiler recognizes Objective-C source files by the filename extension `.m`, just as it recognizes files containing only standard C syntax by filename extension `.c`. Similarly, the compiler recognizes C++ files that use Objective-C by the extension `.mm`. Other issues when using Objective-C with C++ are covered in [“Using C++ With Objective-C”](#) (page 97).

“[The Runtime System](#)” (page 103) looks at the `NSObject` class and how Objective-C programs interact with the runtime system. In particular, it examines the paradigms for managing object allocations, dynamically loading new classes at runtime, and forwarding messages to other objects.

The appendixes contain reference material that might be useful for understanding the language. They are:

- “[Language Summary](#)” (page 127) lists and briefly comments on all of the Objective-C extensions to the C language.
- “[Grammar](#)” (page 135) presents, without comment, a formal grammar of the Objective-C extensions to the C language. This reference manual is meant to be read as a companion to the reference manual for C presented in *The C Programming Language* by Brian W. Kernighan and Dennis M. Ritchie, published by Prentice Hall.

Conventions

Where this document discusses functions, methods, and other programming elements, it makes special use of computer voice and italic fonts. Computer voice denotes words or characters that are to be taken literally (typed as they appear). Italic denotes words that represent something else or can be varied. For example, the syntax:

```
@interface ClassName(CategoryName)
```

means that `@interface` and the two parentheses are required, but that you can choose the class name and category name.

Where example code is shown, ellipsis points indicates the parts, often substantial parts, that have been omitted:

```
- (void)encodeWithCoder:(NSCoder *)coder
{
    [super encodeWithCoder:coder];
    ...
}
```

The conventions used in the reference appendix are described in that appendix.

See Also

Object-Oriented Programming with Objective-C describes object-oriented programming and development from the perspective of an Objective-C developer.

Objective-C 2.0 Runtime Reference describes the data structures and functions of the Objective-C runtime support library. Your programs can use these interfaces to interact with the Objective-C runtime system. For example, you can add classes or methods, or obtain a list of all class definitions for loaded classes.

Garbage Collection Programming Guide describes the garbage collection system used by Objective-C.

I N T R O D U C T I O N

Introduction to The Objective-C 2.0 Programming Language

Objective-C Release Notes describes some of the changes in the Objective-C runtime in the latest release of Mac OS X.

Objects and Classes

Objects

As the name implies, object-oriented programs are built around **objects**. An object associates data with the particular operations that can use or affect that data. In Objective-C, these operations are known as the object's **methods**; the data they affect are its **instance variables**. In essence, an object bundles a data structure (instance variables) and a group of procedures (methods) into a self-contained programming unit.

For example, if you are writing a drawing program that allows a user to create images composed of lines, circles, rectangles, text, bit-mapped images, and so forth, you might create classes for many of the basic shapes that a user can manipulate. A Rectangle object, for instance, might have instance variables that identify the position of the rectangle within the drawing along with its width and its height. Other instance variables could define the rectangle's color, whether or not it is to be filled, and a line pattern that should be used to display the rectangle. A Rectangle class would have methods to set an instance's position, size, color, fill status, and line pattern, along with a method that causes the instance to display itself.

In Objective-C, an object's instance variables are internal to the object; generally, you get access to an object's state only through the object's methods (you can specify whether subclasses or other objects can access instance variables directly by using scope directives, see [“The Scope of Instance Variables”](#) (page 36)). For others to find out something about an object, there has to be a method to supply the information. For example, a Rectangle would have methods that reveal its size and its position.

Moreover, an object sees only the methods that were designed for it; it can't mistakenly perform methods intended for other types of objects. Just as a C function protects its local variables, hiding them from the rest of the program, an object hides both its instance variables and its method implementations.

id

In Objective-C, object identifiers are a distinct data type: `id`. This type is defined as a pointer to an object—in reality, a pointer to the instance variables of the object, the object's unique data. Like a C function or an array, an object is identified by its address. All objects, regardless of their instance variables or methods, are of type `id`.

```
id anObject;
```

For the object-oriented constructs of Objective-C, such as method return values, `id` replaces `int` as the default data type. (For strictly C constructs, such as function return values, `int` remains the default type.)

The keyword `nil` is defined as a null object, an `id` with a value of 0. `id`, `nil`, and the other basic types of Objective-C are defined in the header file `objc/objc.h`.

Dynamic Typing

The `id` type is completely nonrestrictive. By itself, it yields no information about an object, except that it is an object.

But objects aren't all the same. A `Rectangle` won't have the same methods or instance variables as an object that represents a bit-mapped image. At some point, a program needs to find more specific information about the objects it contains—what the object's instance variables are, what methods it can perform, and so on. Since the `id` type designator can't supply this information to the compiler, each object has to be able to supply it at runtime.

This is possible because every object carries with it an `isa` instance variable that identifies the object's **class**—what kind of object it is. Every `Rectangle` object would be able to tell the runtime system that it is a `Rectangle`. Every `Circle` can say that it is a `Circle`. Objects with the same behavior (methods) and the same kinds of data (instance variables) are members of the same class.

Objects are thus **dynamically typed** at runtime. Whenever it needs to, the runtime system can find the exact class that an object belongs to, just by asking the object. Dynamic typing in Objective-C serves as the foundation for dynamic binding, discussed later.

The `isa` pointer also enables objects to perform **introspection**—to find out about themselves (or other objects). The compiler records information about class definitions in data structures for the runtime system to use. The functions of the runtime system use `isa`, to find this information at runtime. Using the runtime system, you can, for example, determine whether an object implements a particular method, or discover the name of its superclass.

Object classes are discussed in more detail under [“Classes”](#) (page 20).

It's also possible to give the compiler information about the class of an object by statically typing it in source code using the class name. Classes are particular kinds of objects, and the class name can serve as a type name. See [“Class Types”](#) (page 23) and [“Enabling Static Behavior”](#) (page 87).

Object Messaging

This section explains the syntax of sending messages, including how you can nest message expressions. It also discusses the “visibility” of an object's instance variables, and the concepts of polymorphism and dynamic binding.

Message Syntax

To get an object to do something, you send it a **message** telling it to apply a method. In Objective-C, **message expressions** are enclosed in brackets:

```
[receiver message]
```

The receiver is an object, and the message tells it what to do. In source code, the message is simply the name of a method and any arguments that are passed to it. When a message is sent, the runtime system selects the appropriate method from the receiver's repertoire and invokes it.

For example, this message tells the `myRect` object to perform its `display` method, which causes the rectangle to display itself:

```
[myRect display];
```

Methods can also take arguments. The imaginary message below tells `myRect` to set its location within the window to coordinates (30.0, 50.0):

```
[myRect setOrigin:30.0 :50.0];
```

Here the method name, `setOrigin::`, has two colons, one for each of its arguments. The arguments are inserted after the colons. This method name uses unlabeled arguments. Unlabeled arguments make it difficult to determine the kind and purpose of a method's arguments. Instead, method names should include labels describing each of their arguments. Argument labels precede each colon in the method name. The `setWidth:height:` method, for example, makes the purpose of its two arguments clear:

```
[myRect setWidth:10.0 height:15.0];
```

Methods that take a variable number of arguments are also possible, though they're somewhat rare. Extra arguments are separated by commas after the end of the method name. (Unlike colons, the commas aren't considered part of the name.) In the following example, the imaginary `makeGroup:` method is passed one required argument (**group**) and three that are optional:

```
[receiver makeGroup:group, memberOne, memberTwo, memberThree];
```

Like standard C functions, methods can return values. The following example sets the variable `isFilled` to YES if `myRect` is drawn as a solid rectangle, or NO if it's drawn in outline form only.

```
BOOL isFilled;  
isFilled = [myRect isFilled];
```

Note that a variable and a method can have the same name.

One message expression can be nested inside another. Here, the color of one rectangle is set to the color of another:

```
[myRect setPrimaryColor:[otherRect primaryColor]];
```

Sending Messages to nil

In Objective-C, it is valid to send a message to `nil`—it simply has no effect at runtime. There are several patterns in Cocoa that take advantage of this fact. The value returned from a message to `nil` may also be valid:

- If the method returns an object, any pointer type, any integer scalar of size less than or equal to `sizeof(void*)`, a float, a double, a long double, or a long long, then a message sent to `nil` returns 0.
- If the method returns a struct, as defined by the *Mac OS X ABI Function Call Guide* to be returned in registers, then a message sent to `nil` returns 0.0 for every field in the data structure. Other struct data types will not be filled with zeros.
- If the method returns anything other than the aforementioned value types the return value of a message sent to `nil` is undefined.

The following code fragment illustrates valid use of sending a message to `nil`.

```
id anObjectMaybeNil = nil;

// this is valid
if ([anObjectMaybeNil methodThatReturnsADouble] == 0.0)
{
    // implementation continues...
}
```

Note: The behavior of sending messages to `nil` changed with Mac OS X v10.5; for the behavior of previous versions, see prior documentation.

The Receiver's Instance Variables

A method has automatic access to the receiving object's instance variables. You don't need to pass them to the method as arguments. For example, the `primaryColor` method illustrated above takes no arguments, yet it can find the primary color for `otherRect` and return it. Every method assumes the receiver and its instance variables, without having to declare them as arguments.

This convention simplifies Objective-C source code. It also supports the way object-oriented programmers think about objects and messages. Messages are sent to receivers much as letters are delivered to your home. Message arguments bring information from the outside to the receiver; they don't need to bring the receiver to itself.

A method has automatic access only to the receiver's instance variables. If it requires information about a variable stored in another object, it must send a message to the object asking it to reveal the contents of the variable. The `primaryColor` and `isFilled` methods shown above are used for just this purpose.

See [“Defining a Class”](#) (page 31) for more information on referring to instance variables.

Polymorphism

As the examples above illustrate, messages in Objective-C appear in the same syntactic positions as function calls in standard C. But, because methods “belong to” an object, messages behave differently than function calls.

In particular, an object can be operated on by only those methods that were defined for it. It can’t confuse them with methods defined for other kinds of objects, even if another object has a method with the same name. This means that two objects can respond differently to the same message. For example, each kind of object sent a `display` message could display itself in a unique way. A `Circle` and a `Rectangle` would respond differently to identical instructions to track the cursor.

This feature, referred to as **polymorphism**, plays a significant role in the design of object-oriented programs. Together with dynamic binding, it permits you to write code that might apply to any number of different kinds of objects, without you having to choose at the time you write the code what kinds of objects they might be. They might even be objects that will be developed later, by other programmers working on other projects. If you write code that sends a `display` message to an `id` variable, any object that has a `display` method is a potential receiver.

Dynamic Binding

A crucial difference between function calls and messages is that a function and its arguments are joined together in the compiled code, but a message and a receiving object aren’t united until the program is running and the message is sent. Therefore, the exact method that’s invoked to respond to a message can only be determined at runtime, not when the code is compiled.

The precise method that a message invokes depends on the receiver. Different receivers may have different method implementations for the same method name (polymorphism). For the compiler to find the right method implementation for a message, it would have to know what kind of object the receiver is—what class it belongs to. This is information the receiver is able to reveal at runtime when it receives a message (dynamic typing), but it’s not available from the type declarations found in source code.

The selection of a method implementation happens at runtime. When a message is sent, a runtime messaging routine looks at the receiver and at the method named in the message. It locates the receiver’s implementation of a method matching the name, “calls” the method, and passes it a pointer to the receiver’s instance variables. (For more on this routine, see “[How Messaging Works](#)” (page 75).)

The method name in a message thus serves to “select” a method implementation. For this reason, method names in messages are often referred to as **selectors**.

This **dynamic binding** of methods to messages works hand-in-hand with polymorphism to give object-oriented programming much of its flexibility and power. Since each object can have its own version of a method, a program can achieve a variety of results, not by varying the message itself, but by varying just the object that receives the message. This can be done as the program runs; receivers can be decided “on the fly” and can be made dependent on external factors such as user actions.

When executing code based upon the Application Kit, for example, users determine which objects receive messages from menu commands like Cut, Copy, and Paste. The message goes to whatever object controls the current selection. An object that displays text would react to a `copy` message differently from an object that displays scanned images. An object that represents a set of shapes

would respond differently from a `Rectangle`. Since messages don't select methods (methods aren't bound to messages) until runtime, these differences are isolated in the methods that respond to the message. The code that sends the message doesn't have to be concerned with them; it doesn't even have to enumerate the possibilities. Each application can invent its own objects that respond in their own way to copy messages.

Objective-C takes dynamic binding one step further and allows even the message that's sent (the method selector) to be a variable that's determined at runtime. This is discussed in the section "[How Messaging Works](#)" (page 75).

Classes

An object-oriented program is typically built from a variety of objects. A program based on the Cocoa frameworks might use `NSMatrix` objects, `NSWindow` objects, `NSDictionary` objects, `NSFont` objects, `NSText` objects, and many others. Programs often use more than one object of the same kind or class—several `NSArray` objects or `NSWindow` objects, for example.

In Objective-C, you define objects by defining their class. The class definition is a prototype for a kind of object; it declares the instance variables that become part of every member of the class, and it defines a set of methods that all objects in the class can use.

The compiler creates just one accessible object for each class, a **class object** that knows how to build new objects belonging to the class. (For this reason it's traditionally called a "factory object.") The class object is the compiled version of the class; the objects it builds are **instances** of the class. The objects that do the main work of your program are instances created by the class object at runtime.

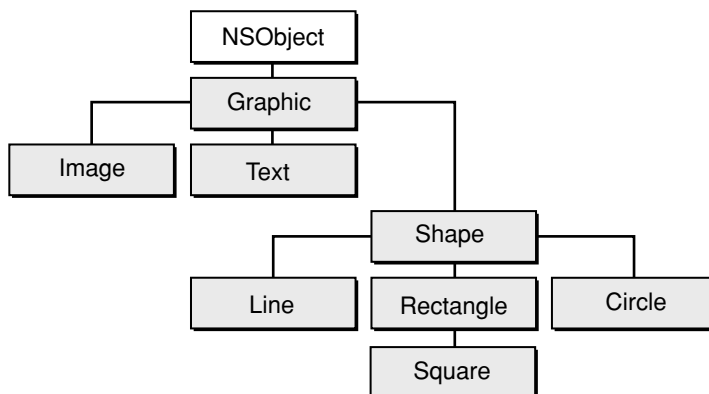
All instances of a class have the same set of methods, and they all have a set of instance variables cut from the same mold. Each object gets its own instance variables, but the methods are shared.

By convention, class names begin with an uppercase letter (such as "`Rectangle`"); the names of instances typically begin with a lowercase letter (such as "`myRect`").

Inheritance

Class definitions are additive; each new class that you define is based on another class from which it **inherits** methods and instance variables. The new class simply adds to or modifies what it inherits. It doesn't need to duplicate inherited code.

Inheritance links all classes together in a hierarchical tree with a single class at its root. When writing code that is based upon the Foundation framework, that root class is typically `NSObject`. Every class (except a root class) has a **superclass** one step nearer the root, and any class (including a root class) can be the superclass for any number of **subclasses** one step farther from the root. Figure 1-1 illustrates the hierarchy for a few of the classes used in the drawing program.

Figure 1-1 Some Drawing Program Classes

This figure shows that the Square class is a subclass of the Rectangle class, the Rectangle class is a subclass of Shape, Shape is a subclass of Graphic, and Graphic is a subclass of NSObject. Inheritance is cumulative. So a Square object has the methods and instance variables defined for Rectangle, Shape, Graphic, and NSObject, as well as those defined specifically for Square. This is simply to say that a Square object isn't only a Square, it's also a Rectangle, a Shape, a Graphic, and an NSObject.

Every class but NSObject can thus be seen as a specialization or an adaptation of another class. Each successive subclass further modifies the cumulative total of what's inherited. The Square class defines only the minimum needed to turn a Rectangle into a Square.

When you define a class, you link it to the hierarchy by declaring its superclass; every class you create must be the subclass of another class (unless you define a new root class). Plenty of potential superclasses are available. Cocoa includes the NSObject class and several frameworks containing definitions for more than 250 additional classes. Some are classes that you can use "off the shelf"—incorporate into your program as is. Others you might want to adapt to your own needs by defining a subclass.

Some framework classes define almost everything you need, but leave some specifics to be implemented in a subclass. You can thus create very sophisticated objects by writing only a small amount of code, and reusing work done by the programmers of the framework.

The NSObject Class

NSObject is a root class, and so doesn't have a superclass. It defines the basic framework for Objective-C objects and object interactions. It imparts to the classes and instances of classes that inherit from it the ability to behave as objects and cooperate with the runtime system.

A class that doesn't need to inherit any special behavior from another class should nevertheless be made a subclass of the NSObject class. Instances of the class must at least have the ability to behave like Objective-C objects at runtime. Inheriting this ability from the NSObject class is much simpler and much more reliable than reinventing it in a new class definition.

Note: Implementing a new root class is a delicate task and one with many hidden hazards. The class must duplicate much of what the `NSObject` class does, such as allocate instances, connect them to their class, and identify them to the runtime system. For this reason, you should generally use the `NSObject` class provided with Cocoa as the root class. For more information, see the Foundation framework documentation for the `NSObject` class and the `NSObject` protocol.

Inheriting Instance Variables

When a class object creates a new instance, the new object contains not only the instance variables that were defined for its class but also the instance variables defined for its superclass and for its superclass's superclass, all the way back to the root class. Thus, the `isa` instance variable defined in the `NSObject` class becomes part of every object. `isa` connects each object to its class.

Figure 1-2 shows some of the instance variables that could be defined for a particular implementation of `Rectangle`, and where they may come from. Note that the variables that make the object a `Rectangle` are added to the ones that make it a `Shape`, and the ones that make it a `Shape` are added to the ones that make it a `Graphic`, and so on.

Figure 1-2 Rectangle Instance Variables

Class	<code>isa;</code>	—	declared in <code>NSObject</code>
<code>NSPoint</code>	<code>origin;</code>	—	declared in <code>Graphic</code>
<code>NSColor</code>	<code>*primaryColor;</code>	}	declared in <code>Shape</code>
<code>Pattern</code>	<code>linePattern;</code>		
...			
<code>float</code>	<code>width;</code>	}	declared in <code>Rectangle</code>
<code>float</code>	<code>height;</code>		
<code>BOOL</code>	<code>filled;</code>		
<code>NSColor</code>	<code>*fillColor;</code>		
...			

A class doesn't have to declare instance variables. It can simply define new methods and rely on the instance variables it inherits, if it needs any instance variables at all. For example, `Square` might not declare any new instance variables of its own.

Inheriting Methods

An object has access not only to the methods defined for its class, but also to methods defined for its superclass, and for its superclass's superclass, all the way back to the root of the hierarchy. For instance, a `Square` object can use methods defined in the `Rectangle`, `Shape`, `Graphic`, and `NSObject` classes as well as methods defined in its own class.

Any new class you define in your program can therefore make use of the code written for all the classes above it in the hierarchy. This type of inheritance is a major benefit of object-oriented programming. When you use one of the object-oriented frameworks provided by Cocoa, your programs can take advantage of the basic functionality coded into the framework classes. You have to add only the code that customizes the standard functionality to your application.

Class objects also inherit from the classes above them in the hierarchy. But because they don't have instance variables (only instances do), they inherit only methods.

Overriding One Method With Another

There's one useful exception to inheritance: When you define a new class, you can implement a new method with the same name as one defined in a class farther up the hierarchy. The new method overrides the original; instances of the new class perform it rather than the original, and subclasses of the new class inherit it rather than the original.

For example, `Graphic` defines a `display` method that `Rectangle` overrides by defining its own version of `display`. The `Graphic` method is available to all kinds of objects that inherit from the `Graphic` class—but not to `Rectangle` objects, which instead perform the `Rectangle` version of `display`.

Although overriding a method blocks the original version from being inherited, other methods defined in the new class can skip over the redefined method and find the original (see “[Messages to self and super](#)” (page 82) to learn how).

A redefined method can also incorporate the very method it overrides. When it does, the new method serves only to refine or modify the method it overrides, rather than replace it outright. When several classes in the hierarchy define the same method, but each new version incorporates the version it overrides, the implementation of the method is effectively spread over all the classes.

Although a subclass can override inherited methods, it can't override inherited instance variables. Since an object has memory allocated for every instance variable it inherits, you can't override an inherited variable by declaring a new one with the same name. If you try, the compiler will complain.

Abstract Classes

Some classes are designed only or primarily so that other classes can inherit from them. These **abstract classes** group methods and instance variables that can be used by a number of different subclasses into a common definition. The abstract class is typically incomplete by itself, but contains useful code that reduces the implementation burden of its subclasses.

The `NSObject` class is the prime example of an abstract class. Although programs often define `NSObject` subclasses and use instances belonging to the subclasses, they never use instances belonging directly to the `NSObject` class. An `NSObject` instance wouldn't be good for anything; it would be a generic object with the ability to do nothing in particular.

The `NSView` class provides an example of an abstract class that may be used directly.

Abstract classes often contain code that helps define the structure of an application. When you create subclasses of these classes, instances of your new classes fit effortlessly into the application structure and work automatically with other objects.

(Because abstract classes must have subclasses to be useful, they're sometimes also called **abstract superclasses**.)

Class Types

A class definition is a specification for a kind of object. The class, in effect, defines a data type. The type is based not just on the data structure the class defines (instance variables), but also on the behavior included in the definition (methods).

A class name can appear in source code wherever a type specifier is permitted in C—for example, as an argument to the `sizeof` operator:

```
int i = sizeof(Rectangle);
```

Static Typing

You can use a class name in place of `id` to designate an object’s type:

```
Rectangle *myRect;
```

Because this way of declaring an object type gives the compiler information about the kind of object it is, it’s known as **static typing**. Just as `id` is defined as a pointer to an object, objects are statically typed as pointers to a class. Objects are always typed by a pointer. Static typing makes the pointer explicit; `id` hides it.

Static typing permits the compiler to do some type checking—for example, to warn if an object could receive a message that it appears not to be able to respond to—and to loosen some restrictions that apply to objects generically typed `id`. In addition, it can make your intentions clearer to others who read your source code. However, it doesn’t defeat dynamic binding or alter the dynamic determination of a receiver’s class at runtime.

An object can be statically typed to its own class or to any class that it inherits from. For example, since inheritance makes a `Rectangle` a kind of `Graphic`, a `Rectangle` instance could be statically typed to the `Graphic` class:

```
Graphic *myRect;
```

This is possible because a `Rectangle` is a `Graphic`. It’s more than a `Graphic` since it also has the instance variables and method capabilities of a `Shape` and a `Rectangle`, but it’s a `Graphic` nonetheless. For purposes of type checking, the compiler considers `myRect` to be a `Graphic`, but at runtime it’s treated as a `Rectangle`.

See [“Enabling Static Behavior”](#) (page 87) for more on static typing and its benefits.

Type Introspection

Instances can reveal their types at runtime. The `isMemberOfClass:` method, defined in the `NSObject` class, checks whether the receiver is an instance of a particular class:

```
if ( [anObject isKindOfClass:someClass] )
    ...
```

The `isKindOfClass:` method, also defined in the `NSObject` class, checks more generally whether the receiver inherits from or is a member of a particular class (whether it has the class in its inheritance path):

```
if ( [anObject isKindOfClass:someClass] )
    ...
```

The set of classes for which `isKindOfClass:` returns YES is the same set to which the receiver can be statically typed.

Introspection isn’t limited to type information. Later sections of this chapter discuss methods that return the class object, report whether an object can respond to a message, and reveal other information.

See the `NSObject` class specification in the Foundation framework reference for more on `isKindOfClass:`, `isMemberOfClass:`, and related methods.

Class Objects

A class definition contains various kinds of information, much of it about instances of the class:

- The name of the class and its superclass
- A template describing a set of instance variables
- The declarations of method names and their return and argument types
- The method implementations

This information is compiled and recorded in data structures made available to the runtime system. The compiler creates just one object, a **class object**, to represent the class. The class object has access to all the information about the class, which means mainly information about what instances of the class are like. It's able to produce new instances according to the plan put forward in the class definition.

Although a class object keeps the prototype of a class instance, it's not an instance itself. It has no instance variables of its own and it can't perform methods intended for instances of the class. However, a class definition can include methods intended specifically for the class object—**class methods** as opposed to **instance methods**. A class object inherits class methods from the classes above it in the hierarchy, just as instances inherit instance methods.

In source code, the class object is represented by the class name. In the following example, the `Rectangle` class returns the class version number using a method inherited from the `NSObject` class:

```
int versionNumber = [Rectangle version];
```

However, the class name stands for the class object only as the receiver in a message expression. Elsewhere, you need to ask an instance or the class to return the class `id`. Both respond to a `class` message:

```
id aClass = [anObject class];  
id rectClass = [Rectangle class];
```

As these examples show, class objects can, like all other objects, be typed `id`. But class objects can also be more specifically typed to the `Class` data type:

```
Class aClass = [anObject class];  
Class rectClass = [Rectangle class];
```

All class objects are of type `Class`. Using this type name for a class is equivalent to using the class name to statically type an instance.

Class objects are thus full-fledged objects that can be dynamically typed, receive messages, and inherit methods from other classes. They're special only in that they're created by the compiler, lack data structures (instance variables) of their own other than those built from the class definition, and are the agents for producing instances at runtime.

Note: The compiler also builds a “metaclass object” for each class. It describes the class object just as the class object describes instances of the class. But while you can send messages to instances and to the class object, the metaclass object is used only internally by the runtime system.

Creating Instances

A principal function of a class object is to create new instances. This code tells the `Rectangle` class to create a new `Rectangle` instance and assign it to the `myRect` variable:

```
id myRect;  
myRect = [Rectangle alloc];
```

The `alloc` method dynamically allocates memory for the new object’s instance variables and initializes them all to 0—all, that is, except the `isa` variable that connects the new instance to its class. For an object to be useful, it generally needs to be more completely initialized. That’s the function of an `init` method. Initialization typically follows immediately after allocation:

```
myRect = [[Rectangle alloc] init];
```

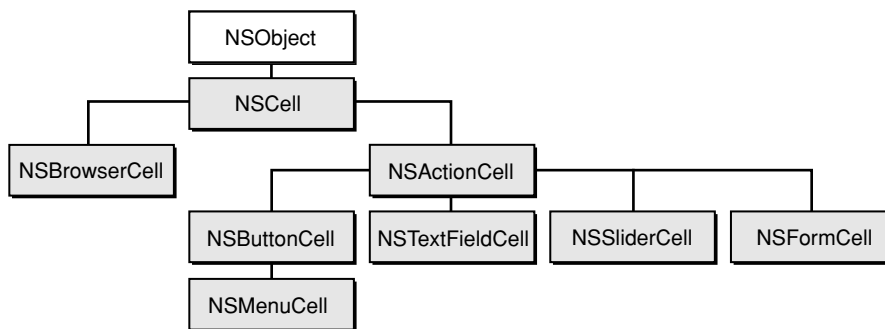
This line of code, or one like it, would be necessary before `myRect` could receive any of the messages that were illustrated in previous examples in this chapter. The `alloc` method returns a new instance and that instance performs an `init` method to set its initial state. Every class object has at least one method (like `alloc`) that enables it to produce new objects, and every instance has at least one method (like `init`) that prepares it for use. Initialization methods often take arguments to allow particular values to be passed and have keywords to label the arguments (`initWithPosition:size:`, for example, is a method that might initialize a new `Rectangle` instance), but they all begin with “init”.

Customization With Class Objects

It’s not just a whim of the Objective-C language that classes are treated as objects. It’s a choice that has intended, and sometimes surprising, benefits for design. It’s possible, for example, to customize an object with a class, where the class belongs to an open-ended set. In the Application Kit, for example, an `NSMatrix` object can be customized with a particular kind of `NSCell` object.

An `NSMatrix` object can take responsibility for creating the individual objects that represent its cells. It can do this when the matrix is first initialized and later when new cells are needed. The visible matrix that an `NSMatrix` object draws on the screen can grow and shrink at runtime, perhaps in response to user actions. When it grows, the matrix needs to be able to produce new objects to fill the new slots that are added.

But what kind of objects should they be? Each matrix displays just one kind of `NSCell`, but there are many different kinds. The inheritance hierarchy in Figure 1-3 shows some of those provided by the Application Kit. All inherit from the generic `NSCell` class:

Figure 1-3 Inheritance hierarchy for NSCell

When a matrix creates `NSCell` objects, should they be `NSButtonCell` objects to display a bank of buttons or switches, `NSTextFieldCell` objects to display fields where the user can enter and edit text, or some other kind of `NSCell`? The `NSMatrix` object must allow for any kind of cell, even types that haven't been invented yet.

One solution to this problem is to define the `NSMatrix` class as an abstract class and require everyone who uses it to declare a subclass and implement the methods that produce new cells. Because they would be implementing the methods, users of the class could be sure that the objects they created were of the right type.

But this requires others to do work that ought to be done in the `NSMatrix` class, and it unnecessarily proliferates the number of classes. Since an application might need more than one kind of `NSMatrix`, each with a different kind of `NSCell`, it could become cluttered with `NSMatrix` subclasses. Every time you invented a new kind of `NSCell`, you'd also have to define a new kind of `NSMatrix`. Moreover, programmers on different projects would be writing virtually identical code to do the same job, all to make up for `NSMatrix`'s failure to do it.

A better solution, the solution the `NSMatrix` class actually adopts, is to allow `NSMatrix` instances to be initialized with a kind of `NSCell`—with a class object. It defines a `setCellClass:` method that passes the class object for the kind of `NSCell` object an `NSMatrix` should use to fill empty slots:

```
[myMatrix setCellClass:[NSButtonCell class]];
```

The `NSMatrix` object uses the class object to produce new cells when it's first initialized and whenever it's resized to contain more cells. This kind of customization would be difficult if classes weren't objects that could be passed in messages and assigned to variables.

Variables and Class Objects

When you define a new class, you can specify instance variables. Every instance of the class can maintain its own copy of the variables you declare—each object controls its own data. There is, however, no “class variable” counterpart to an instance variable. Only internal data structures, initialized from the class definition, are provided for the class. Moreover, a class object has no access to the instance variables of any instances; it can't initialize, read, or alter them.

For all the instances of a class to share data, you must define an external variable of some sort. The simplest way to do this is to declare a variable in the class implementation file as illustrated in the following code fragment.

```
int MCLSGlobalVariable;
```

```
@implementation MyClass
// implementation continues
```

In a more sophisticated implementation, you can declare a variable to be `static`, and provide class methods to manage it. Declaring a variable `static` limits its scope to just the class—and to just the part of the class that’s implemented in the file. (Thus unlike instance variables, static variables cannot be inherited by, or directly manipulated by, subclasses.) This pattern is commonly used to define shared instances of a class (such as singletons, see [Creating a Singleton Instance](#)).

```
static MyClass *MCLSSharedInstance;

@implementation MyClass

+ (MyClass *)sharedInstance
{
    // check for existence of shared instance
    // create if necessary
    return MCLSSharedInstance;
}
// implementation continues
```

Static variables help give the class object more functionality than just that of a “factory” producing instances; it can approach being a complete and versatile object in its own right. A class object can be used to coordinate the instances it creates, dispense instances from lists of objects already created, or manage other processes essential to the application. In the case when you need only one object of a particular class, you can put all the object’s state into static variables and use only class methods. This saves the step of allocating and initializing an instance.

Note: It is also possible to use external variables that are not declared `static`, but the limited scope of static variables better serves the purpose of encapsulating data into separate objects.

Initializing a Class Object

If a class object is to be used for anything besides allocating instances, it may need to be initialized just as an instance is. Although programs don’t allocate class objects, Objective-C does provide a way for programs to initialize them.

If a class makes use of static or global variables, the `initialize` method is a good place to set their initial values. For example, if a class maintains an array of instances, the `initialize` method could set up the array and even allocate one or two default instances to have them ready.

The runtime system sends an `initialize` message to every class object before the class receives any other messages and after its superclass has received the `initialize` message. This gives the class a chance to set up its runtime environment before it’s used. If no initialization is required, you don’t need to write an `initialize` method to respond to the message.

Because of inheritance, an `initialize` message sent to a class that doesn’t implement the `initialize` method is forwarded to the superclass, even though the superclass has already received the `initialize` message. For example, assume class A implements the `initialize` method, and class B inherits from class A but does not implement the `initialize` method. Just before class B is to receive its first message, the runtime system sends `initialize` to it. But, because class B doesn’t implement `initialize`, class A’s `initialize` is executed instead. Therefore, class A should ensure that its initialization logic is performed only once.

To avoid performing initialization logic more than once, use the template in Listing 1-1 when implementing the `initialize` method.

Listing 1-1 Implementation of the `initialize` method

```
+ (void)initialize
{
    static BOOL initialized = NO;
    if (!initialized) {
        // Perform initialization here.
        ...
        initialized = YES;
    }
}
```

Note: Remember that the runtime system sends `initialize` to each class individually. Therefore, in a class's implementation of the `initialize` method, you must not send the `initialize` message to its superclass.

Methods of the Root Class

All objects, classes and instances alike, need an interface to the runtime system. Both class objects and instances should be able to introspect about their abilities and to report their place in the inheritance hierarchy. It's the province of the `NSObject` class to provide this interface.

So that `NSObject`'s methods don't have to be implemented twice—once to provide a runtime interface for instances and again to duplicate that interface for class objects—class objects are given special dispensation to perform instance methods defined in the root class. When a class object receives a message that it can't respond to with a class method, the runtime system determines whether there's a root instance method that can respond. The only instance methods that a class object can perform are those defined in the root class, and only if there's no class method that can do the job.

For more on this peculiar ability of class objects to perform root instance methods, see the `NSObject` class specification in the Foundation framework reference.

Class Names in Source Code

In source code, class names can be used in only two very different contexts. These contexts reflect the dual role of a class as a data type and as an object:

- The class name can be used as a type name for a kind of object. For example:

```
Rectangle * anObject;
```

Here `anObject` is statically typed to be a pointer to a `Rectangle`. The compiler expects it to have the data structure of a `Rectangle` instance and the instance methods defined and inherited by the `Rectangle` class. Static typing enables the compiler to do better type checking and makes source code more self-documenting. See [“Enabling Static Behavior”](#) (page 87) for details.

Only instances can be statically typed; class objects can't be, since they aren't members of a class, but rather belong to the `Class` data type.

- As the receiver in a message expression, the class name refers to the class object. This usage was illustrated in several of the earlier examples. The class name can stand for the class object only as a message receiver. In any other context, you must ask the class object to reveal its `id` (by sending it a class message). The example below passes the `Rectangle` class as an argument in an `isKindOfClass:` message.

```
if ( [anObject isKindOfClass:[Rectangle class]] )
    ...
```

It would have been illegal to simply use the name “`Rectangle`” as the argument. The class name can only be a receiver.

If you don’t know the class name at compile time but have it as a string at runtime, `NSClassFromString` will return the class object:

```
NSString *className;
...
if ( [anObject isKindOfClass:NSClassFromString(className)] )
    ...
```

This function returns `nil` if the string it’s passed is not a valid class name.

Classnames exist in the same namespace as global variables and function names. A class and a global variable can’t have the same name. Classnames are about the only names with global visibility in Objective-C.

Defining a Class

Much of object-oriented programming consists of writing the code for new objects—defining new classes. In Objective-C, classes are defined in two parts:

- An **interface** that declares the methods and instance variables of the class and names its superclass
- An **implementation** that actually defines the class (contains the code that implements its methods)

These are typically split between two files, sometimes however a class definition may span several files through the use of a feature called a “category.” Categories can compartmentalize a class definition or extend an existing one. Categories are described in [“Categories and Extensions”](#) (page 41).

Source Files

Although the compiler doesn’t require it, the interface and implementation are usually separated into two different files. The interface file must be made available to anyone who uses the class.

A single file can declare or implement more than one class. Nevertheless, it’s customary to have a separate interface file for each class, if not also a separate implementation file. Keeping class interfaces separate better reflects their status as independent entities.

Interface and implementation files typically are named after the class. The name of the implementation file has the `.m` extension, indicating that it contains Objective-C source code. The interface file can be assigned any other extension. Because it’s included in other source files, the name of the interface file usually has the `.h` extension typical of header files. For example, the `Rectangle` class would be declared in `Rectangle.h` and defined in `Rectangle.m`.

Separating an object’s interface from its implementation fits well with the design of object-oriented programs. An object is a self-contained entity that can be viewed from the outside almost as a “black box.” Once you’ve determined how an object interacts with other elements in your program—that is, once you’ve declared its interface—you can freely alter its implementation without affecting any other part of the application.

Class Interface

The declaration of a class interface begins with the compiler directive `@interface` and ends with the directive `@end`. (All Objective-C directives to the compiler begin with “@”.)

```
@interface ClassName : ItsSuperclass
{
    instance variable declarations
}
method declarations
@end
```

The first line of the declaration presents the new class name and links it to its superclass. The superclass defines the position of the new class in the inheritance hierarchy, as discussed under [“Inheritance”](#) (page 20). If the colon and superclass name are omitted, the new class is declared as a root class, a rival to the `NSObject` class.

Following the first part of the class declaration, braces enclose declarations of **instance variables**, the data structures that are part of each instance of the class. Here’s a partial list of instance variables that might be declared in the `Rectangle` class:

```
float width;
float height;
BOOL filled;
NSColor *fillColor;
```

Methods for the class are declared next, after the braces enclosing instance variables and before the end of the class declaration. The names of methods that can be used by class objects, **class methods**, are preceded by a plus sign:

```
+ alloc;
```

The methods that instances of a class can use, **instance methods**, are marked with a minus sign:

```
- (void)display;
```

Although it’s not a common practice, you can define a class method and an instance method with the same name. A method can also have the same name as an instance variable. This is more common, especially if the method returns the value in the variable. For example, `Circle` has a `radius` method that could match a `radius` instance variable.

Method return types are declared using the standard C syntax for casting one type to another:

```
- (float)radius;
```

Argument types are declared in the same way:

```
- (void)setRadius:(float)aRadius;
```

If a return or argument type isn’t explicitly declared, it’s assumed to be the default type for methods and messages—an `id`. The `alloc` method illustrated earlier returns `id`.

When there’s more than one argument, the arguments are declared within the method name after the colons. Arguments break the name apart in the declaration, just as in a message. For example:

```
- (void)setWidth:(float)width height:(float)height;
```

Methods that take a variable number of arguments declare them using a comma and ellipsis points, just as a function would:

```
- makeGroup:group, ...;
```

Importing the Interface

The interface file must be included in any source module that depends on the class interface—that includes any module that creates an instance of the class, sends a message to invoke a method declared for the class, or mentions an instance variable declared in the class. The interface is usually included with the `#import` directive:

```
#import "Rectangle.h"
```

This directive is identical to `#include`, except that it makes sure that the same file is never included more than once. It's therefore preferred and is used in place of `#include` in code examples throughout Objective-C–based documentation.

To reflect the fact that a class definition builds on the definitions of inherited classes, an interface file begins by importing the interface for its superclass:

```
#import "ItsSuperclass.h"

@interface ClassName : ItsSuperclass
{
    instance variable declarations
}
method declarations
@end
```

This convention means that every interface file includes, indirectly, the interface files for all inherited classes. When a source module imports a class interface, it gets interfaces for the entire inheritance hierarchy that the class is built upon.

Note that if there is a *precomp*—a precompiled header—that supports the superclass, you may prefer to import the *precomp* instead.

Referring to Other Classes

An interface file declares a class and, by importing its superclass, implicitly contains declarations for all inherited classes, from `NSObject` on down through its superclass. If the interface mentions classes not in this hierarchy, it must import them explicitly or declare them with the `@class` directive:

```
@class Rectangle, Circle;
```

This directive simply informs the compiler that “Rectangle” and “Circle” are class names. It doesn't import their interface files.

An interface file mentions class names when it statically types instance variables, return values, and arguments. For example, this declaration

```
- (void)setPrimaryColor:(NSColor *)aColor;
```

mentions the `NSColor` class.

Since declarations like this simply use the class name as a type and don't depend on any details of the class interface (its methods and instance variables), the `@class` directive gives the compiler sufficient forewarning of what to expect. However, where the interface to a class is actually used (instances created, messages sent), the class interface must be imported. Typically, an interface file uses `@class` to declare classes, and the corresponding implementation file imports their interfaces (since it will need to create instances of those classes or send them messages).

The `@class` directive minimizes the amount of code seen by the compiler and linker, and is therefore the simplest way to give a forward declaration of a class name. Being simple, it avoids potential problems that may come with importing files that import still other files. For example, if one class declares a statically typed instance variable of another class, and their two interface files import each other, neither class may compile correctly.

The Role of the Interface

The purpose of the interface file is to declare the new class to other source modules (and to other programmers). It contains all the information they need to work with the class (programmers might also appreciate a little documentation).

- The interface file tells users how the class is connected into the inheritance hierarchy and what other classes—inherited or simply referred to somewhere in the class—are needed.
- The interface file also lets the compiler know what instance variables an object contains, and tells programmers what variables subclasses inherit. Although instance variables are most naturally viewed as a matter of the implementation of a class rather than its interface, they must nevertheless be declared in the interface file. This is because the compiler must be aware of the structure of an object where it's used, not just where it's defined. As a programmer, however, you can generally ignore the instance variables of the classes you use, except when defining a subclass.
- Finally, through its list of method declarations, the interface file lets other modules know what messages can be sent to the class object and instances of the class. Every method that can be used outside the class definition is declared in the interface file; methods that are internal to the class implementation can be omitted.

Class Implementation

The definition of a class is structured very much like its declaration. It begins with the `@implementation` directive and ends with the `@end` directive:

```
@implementation ClassName : ItsSuperclass
{
    instance variable declarations
}
method definitions
@end
```

Defining a Class

However, every implementation file must import its own interface. For example, `Rectangle.m` imports `Rectangle.h`. Because the implementation doesn't need to repeat any of the declarations it imports, it can safely omit:

- The name of the superclass
- The declarations of instance variables

This simplifies the implementation and makes it mainly devoted to method definitions:

```
#import "ClassName.h"

@implementation ClassName
method definitions
@end
```

Methods for a class are defined, like C functions, within a pair of braces. Before the braces, they're declared in the same manner as in the interface file, but without the semicolon. For example:

```
+ alloc
{
    ...
}

- (BOOL)isfilled
{
    ...
}

- (void)setFilled:(BOOL)flag
{
    ...
}
```

Methods that take a variable number of arguments handle them just as a function would:

```
#import <stdarg.h>

...

- getGroup:group, ...
{
    va_list ap;
    va_start(ap, group);
    ...
}
```

Referring to Instance Variables

By default, the definition of an instance method has all the instance variables of the object within its scope. It can refer to them simply by name. Although the compiler creates the equivalent of C structures to store instance variables, the exact nature of the structure is hidden. You don't need either of the structure operators (`.` or `->`) to refer to an object's data. For example, the following method definition refers to the receiver's `filled` instance variable:

Defining a Class

```

- (void)setFilled:(BOOL)flag
{
    filled = flag;
    ...
}

```

Neither the receiving object nor its `filled` instance variable is declared as an argument to this method, yet the instance variable falls within its scope. This simplification of method syntax is a significant shorthand in the writing of Objective-C code.

When the instance variable belongs to an object that's not the receiver, the object's type must be made explicit to the compiler through static typing. In referring to the instance variable of a statically typed object, the structure pointer operator (`->`) is used.

Suppose, for example, that the `Sibling` class declares a statically typed object, `twin`, as an instance variable:

```

@interface Sibling : NSObject
{
    Sibling *twin;
    int gender;
    struct features *appearance;
}

```

As long as the instance variables of the statically typed object are within the scope of the class (as they are here because `twin` is typed to the same class), a `Sibling` method can set them directly:

```

- makeIdenticalTwin
{
    if ( !twin ) {
        twin = [[Sibling alloc] init];
        twin->gender = gender;
        twin->appearance = appearance;
    }
    return twin;
}

```

The Scope of Instance Variables

Although they're declared in the class interface, instance variables are more a matter of the way a class is implemented than of the way it's used. An object's interface lies in its methods, not in its internal data structures.

Often there's a one-to-one correspondence between a method and an instance variable, as in the following example:

```

- (BOOL)isFilled
{
    return filled;
}

```

But this need not be the case. Some methods might return information not stored in instance variables, and some instance variables might store information that an object is unwilling to reveal.

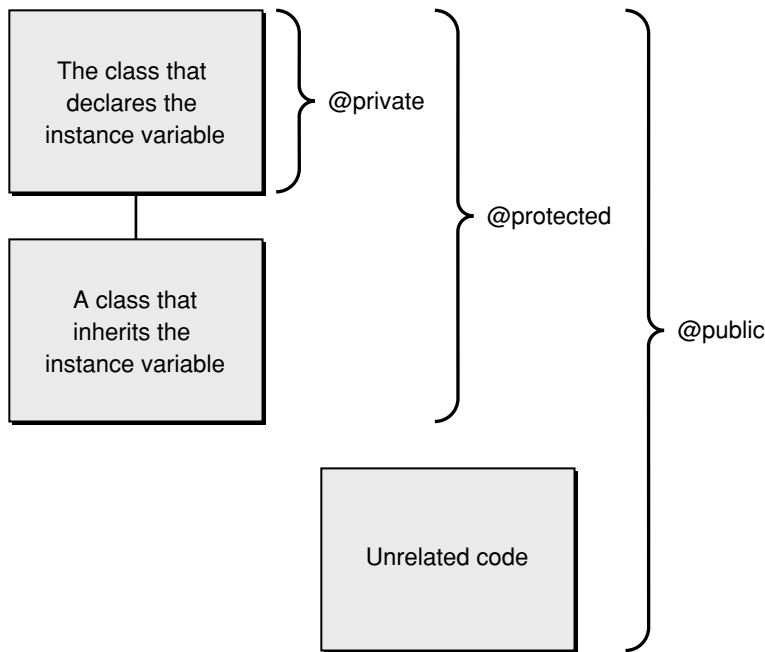
As a class is revised from time to time, the choice of instance variables may change, even though the methods it declares remain the same. As long as messages are the vehicle for interacting with instances of the class, these changes won't really affect its interface.

To enforce the ability of an object to hide its data, the compiler limits the scope of instance variables—that is, limits their visibility within the program. But to provide flexibility, it also lets you explicitly set the scope at three different levels. Each level is marked by a compiler directive:

Directive	Meaning
@private	The instance variable is accessible only within the class that declares it.
@protected	The instance variable is accessible within the class that declares it and within classes that inherit it.
@public	The instance variable is accessible everywhere.
@package	On 64-bit, an @package instance variable acts like @public inside the image that implements the class, but @private outside. This is analogous to private_extern for variables and functions. Any code outside the class implementation's image that tries to use the instance variable will get a link error. This is most useful for instance variables in framework classes, where @private may be too restrictive but @protected or @public too permissive.

This is illustrated in Figure 2-1.

Figure 2-1 The scope of instance variables



A directive applies to all the instance variables listed after it, up to the next directive or the end of the list. In the following example, the `age` and `evaluation` instance variables are private, `name`, `job`, and `wage` are protected, and `boss` is public.

Defining a Class

```
@interface Worker : NSObject
{
    char *name;
@private
    int age;
    char *evaluation;
@protected
    id job;
    float wage;
@public
    id boss;
}
```

By default, all unmarked instance variables (like `name` above) are `@protected`.

All instance variables that a class declares, no matter how they're marked, are within the scope of the class definition. For example, a class that declares a `job` instance variable, such as the `Worker` class shown above, can refer to it in a method definition:

```
- promoteTo:newPosition
{
    id old = job;
    job = newPosition;
    return old;
}
```

Obviously, if a class couldn't access its own instance variables, the instance variables would be of no use whatsoever.

Normally, a class also has access to the instance variables it inherits. The ability to refer to an instance variable is usually inherited along with the variable. It makes sense for classes to have their entire data structures within their scope, especially if you think of a class definition as merely an elaboration of the classes it inherits from. The `promoteTo:` method illustrated earlier could just as well have been defined in any class that inherits the `job` instance variable from the `Worker` class.

However, there are reasons why you might want to restrict inheriting classes from directly accessing an instance variable:

- Once a subclass accesses an inherited instance variable, the class that declares the variable is tied to that part of its implementation. In later versions, it can't eliminate the variable or alter the role it plays without inadvertently breaking the subclass.
- Moreover, if a subclass accesses an inherited instance variable and alters its value, it may inadvertently introduce bugs in the class that declares the variable, especially if the variable is involved in class-internal dependencies.

To limit an instance variable's scope to just the class that declares it, you must mark it `@private`. Instance variables marked `@private` are only available to subclasses by calling public accessor methods, if they exist.

At the other extreme, marking a variable `@public` makes it generally available, even outside of class definitions that inherit or declare the variable. Normally, to get information stored in an instance variable, other objects must send a message requesting it. However, a public instance variable can be accessed anywhere as if it were a field in a C structure. For example:

```
Worker *ceo = [[Worker alloc] init];
```

```
ceo->boss = nil;
```

Note that the object must be statically typed.

Marking instance variables `@public` defeats the ability of an object to hide its data. It runs counter to a fundamental principle of object-oriented programming—the encapsulation of data within objects where it's protected from view and inadvertent error. Public instance variables should therefore be avoided except in extraordinary cases.

Categories and Extensions

A category allows you to add methods to an existing class—even to one to which you do not have the source. This is a powerful feature that allows you to extend the functionality of existing classes without subclassing. Using categories, you can also split the implementation of your own classes between several files. Class extensions are similar, but allow additional *required* API to be declared for a class in locations other than within the primary class `@interface` block

Adding Methods to Classes

You can add methods to a class by declaring them in an interface file under a category name and defining them in an implementation file under the same name. The category name indicates that the methods are additions to a class declared elsewhere, not a new class. You cannot, however, use a category to add additional instance variables to a class.

The methods the category adds become part of the class type. For example, methods added to the `NSArray` class in a category are among the methods the compiler expects an `NSArray` instance to have in its repertoire. Methods added to the `NSArray` class in a subclass are not included in the `NSArray` type. (This matters only for statically typed objects, since static typing is the only way the compiler can know an object's class.)

Category methods can do anything that methods defined in the class proper can do. At runtime, there's no difference. The methods the category adds to the class are inherited by all the class's subclasses, just like other methods.

The declaration of a category interface looks very much like a class interface declaration—except the category name is listed within parentheses after the class name and the superclass isn't mentioned. Unless its methods don't access any instance variables of the class, the category must import the interface file for the class it extends:

```
#import "ClassName.h"

@interface ClassName ( CategoryName )
// method declarations
@end
```

The implementation, as usual, imports its own interface. A common naming convention is that the base file name of the category is the name of the class the category extends followed by "+" followed by the name of the category. A category implementation (in a file named `ClassName+CategoryName.m`) might therefore look like this:

```
#import "ClassName+CategoryName.h"

@implementation ClassName ( CategoryName )
// method definitions
@end
```

Note that a category can't declare additional instance variables for the class; it includes only methods. However, all instance variables within the scope of the class are also within the scope of the category. That includes all instance variables declared by the class, even ones declared `@private`.

There's no limit to the number of categories that you can add to a class, but each category name must be different, and each should declare and define a different set of methods.

How you Use Categories

You can use categories to extend classes defined by other implementors—for example, you can add methods to the classes defined in the Cocoa frameworks. The added methods are inherited by subclasses and are indistinguishable at runtime from the original methods of the class.

A category can be an alternative to a subclass. Rather than define a subclass to extend an existing class, through a category you can add methods to the class directly. For example, you could add categories to `NSArray` and other Cocoa classes. As in the case of a subclass, you don't need source code for the class you're extending.

The methods added in a category can be used to extend the functionality of the class or override methods the class inherits. A category can also override methods declared in the class interface. However, it cannot reliably override methods declared in another category of the same class. A category is not a substitute for a subclass. It's best if categories don't attempt to redefine methods that are explicitly declared in the class's `@interface` section. Also note that a class can't define the same method more than once.

When a category overrides an inherited method, the new version can, as usual, incorporate the inherited version through a message to `super`. But there's no way for a category method to incorporate a method with the same name defined for the same class.

You can also use categories to distribute the implementation of a new class into separate source files—for example, you could group the methods of a large class into several categories and put each category in a different file. When used like this, categories can benefit the development process in a number of ways:

- They provide a simple way of grouping related methods. Similar methods defined in different classes can be kept together in the same source file.
- They simplify the management of a large class when several developers contribute to the class definition.
- They let you achieve some of the benefits of incremental compilation for a very large class.
- They can help improve locality of reference for commonly used methods.
- They enable you to configure a class differently for separate applications, without having to maintain different versions of the same source code.

Categories are also used to declare informal protocols (see [“Informal Protocols”](#) (page 65)), as discussed under [“Declaring Interfaces for Others to Implement”](#) (page 61).

Categories of the Root Class

A category can add methods to any class, including the root class. Methods added to `NSObject` become available to all classes that are linked to your code. While this can be useful at times, it can also be quite dangerous. Although it may seem that the modifications the category makes are well understood and of limited impact, inheritance gives them a wide scope. You may be making unintended changes to unseen classes; you may not know all the consequences of what you’re doing. Moreover, others who are unaware of your changes won’t understand what they’re doing.

In addition, there are two other considerations to keep in mind when implementing methods for the root class:

- Messages to `super` are invalid (there is no superclass).
- Class objects can perform instance methods defined in the root class.

Normally, class objects can perform only class methods. But instance methods defined in the root class are a special case. They define an interface to the runtime system that all objects inherit. Class objects are full-fledged objects and need to share the same interface.

This feature means that you need to take into account the possibility that an instance method you define in a category of the `NSObject` class might be performed not only by instances but by class objects as well. For example, within the body of the method, `self` might mean a class object as well as an instance. See the `NSObject` class specification in the Foundation framework reference for more information on class access to root instance methods.

Extensions

Class extensions are like “anonymous” categories, except that the methods they declare must be implemented in the the main `@implementation` block for the corresponding class.

It is common for a class to have a publicly declared API and to then have additional API declared privately for use solely by the class or the framework within which the class resides. You can declare such API in a category (or in more than one category) in a private header file or implementation file as described above. This works, but the compiler cannot verify that all declared methods are implemented.

For example, the compiler will compile without error the following declarations and implementation:

```
@interface MyObject : NSObject
{
    NSNumber *number;
}
- (NSNumber *)number;
@end
```

```
@interface MyObject (Setter)
```

Categories and Extensions

```
- (void)setNumber:(NSNumber *)newNumber;
@end
```

```
@implementation MyObject
```

```
- (NSNumber *)number
{
    return number;
}
@end
```

Note that there is no implementation of the `setNumber` method. If it is invoked at runtime, this will generate an error.

Class extensions allow you to declare additional *required* API for a class in locations other than within the primary class `@interface` block, as illustrated in the following example:

```
@interface MyObject : NSObject
{
    NSNumber *number;
}
- (NSNumber *)number;
@end
```

```
@interface MyObject ()
- (void)setNumber:(NSNumber *)newNumber;
@end
```

```
@implementation MyObject
```

```
- (NSNumber *)number
{
    return number;
}
- (void)setNumber(NSNumber *)newNumber
{
    number = newNumber;
}
@end
```

Notice that in this case:

- No name is given in the parentheses in the second `@interface` block;
- The implementation of the `setNumber` method appears within the main `@implementation` block for the class.

The implementation of the `setNumber` method *must* appear within the main `@implementation` block for the class (you cannot implement it in a category). If this is not the case, the compiler will emit a warning that it cannot find a method definition for `setNumber`.

Properties

The Objective-C “declared properties” feature provides a simple way to implement an object’s properties declaratively. It also provides a concise syntax for accessing properties of objects without the need to write accessor methods.

Overview

There are two aspects to properties: the syntactic elements used to declare properties, and the syntactic elements used to access properties. This section gives a brief overview of both, and discusses the motivation behind the feature.

Motivation

You typically access instance variables through a pair of accessor (getter/setter) methods. You can think of state managed through this accessor style API as being the properties of an instance of the class. By using accessor methods, you adhere to the principle of encapsulation (see “Mechanisms Of Abstraction” in *Object-Oriented Programming with Objective-C* > The Object Model). You can exercise tight control of the behavior of the getter/setter pair and the underlying state management while clients of the API remain insulated from the implementation changes.

Although using accessor methods therefore has significant advantages, writing accessor methods is nevertheless a tedious process—particularly if you have to write code to support both garbage collected and managed memory environments. Moreover, aspects of the property that may be important to consumers of the API are left obscured—such as whether the accessor methods are thread-safe or whether new values are copied when set.

The Objective-C **declared properties** feature offers the following advantages:

- The property declaration provides a clear, explicit specification of how the accessor methods behave.
- The compiler can synthesize accessor methods for you, according to the specification you provide in the declaration. This means you have less code to write and maintain.
- Properties are represented syntactically as identifiers and are scoped, so the compiler can detect use of undeclared properties.
- Runtime introspection of the properties declared by a class.

Declaring Properties

The declaration of a property is, effectively, a short hand for declaring the setter and getter for an attribute of an instance of a class, although it also provides a specification for the accessors' behavior. In addition to the declaration itself, there are implementation directives to instruct the compiler to synthesize the accessors and to inform the compiler that you will provide the methods yourself at runtime.

- You use the compiler directive `@property` to declare a property. It can appear anywhere in the method declaration section of a class, category, or protocol declaration.
- You use the `@synthesize` and `@dynamic` directives in `@implementation` blocks to trigger specific compiler actions: `@synthesize` instructs the compiler to synthesize the relevant accessors; `@dynamic` informs the compiler that you will provide the methods yourself at runtime.

Listing 4-1 illustrates the declaration of a property, `value`, and use of the `@synthesize` directive to instruct the compiler to create accessor methods to match the specification given in the declaration.

Listing 4-1 Declaring properties in a class

```
@interface MyClass : NSObject
{
    NSString *value;
}
@property(copy, readonly) NSString *value;
@end

@implementation MyClass
@synthesize value;
@end
```

Accessing Properties

Using the **dot syntax**, you can access a property using the same pattern as accessing structure elements.

```
MyClass *myInstance = [[MyClass alloc] init];
myInstance.value = @"New value";
NSLog(@"myInstance value: %@", myInstance.value);
```

The dot syntax purely “syntactic sugar”—it is transformed by the compiler into invocation of accessor methods (so you are not actually accessing an instance variable directly). The code example above is exactly equivalent to the following:

```
MyClass *myInstance = [[MyClass alloc] init];
[myInstance setValue:@"New value"];
NSLog(@"myInstance value: %@", [myInstance value]);
```

Property Declaration and Implementation

There are two parts to a property, its declaration and its implementation.

Property Declaration

A property declaration begins with the keyword `@property`. `@property` can appear anywhere in the method declaration list found in the `@interface` of a class. `@property` can also appear in the declaration of a protocol or category.

```
@property(attributes) type name;
```

`@property` declares a property. An optional parenthesized set of attributes provides additional details about the storage semantics and other behaviors of the property—see “Property Declaration Attributes” for possible values. Like any other Objective-C type, each property has a type specification and a name.

Property Implementation Directives

You can use the `@synthesize` and `@dynamic` directives in `@implementation` blocks to trigger specific compiler actions. Note that neither is *required* for any given `@property` declaration.

Important: The default value is `@dynamic`. If, therefore, you do not specify either `@synthesize` or `@dynamic` for a particular property, you must provide a getter and setter (or just a getter in the case of a `readonly` property) method implementation for that property.

```
@synthesize
```

You use the `@synthesize` keyword to tell the compiler that it should synthesize the setter and/or getter methods for the property if you do not supply them within the `@implementation` block.

Listing 4-2 Using `@synthesize`

```
@interface MyClass : NSObject
{
    NSString *value;
}
@property(copy, readwrite) NSString *value;
@end

// assume using garbage collection
@implementation MyClass
@synthesize value;
@end
```

You can use the form `property=ivar` to indicate that a particular instance variable should be used for the property, for example:

```
@synthesize firstName, lastName, age = yearsOld;
```

This specifies that the accessor methods for `firstName`, `lastName`, and `age` should be synthesized and that the property `age` is represented by the instance variable `yearsOld`. Other aspects of the synthesized methods are determined by the optional attributes (see “Property Declaration Attributes” (page 48)).

There are differences in the behavior that depend on the runtime (see also “Runtime Differences” (page 59)):

- For the “fragile instance variable” (32-bit) runtime, instance variables must already be declared in the `@interface` block. If an instance variable of the same name and compatible type as the property exists, it is used—otherwise, you get a compiler error.
- For the “non-fragile instance variable” (64-bit) runtime, instance variables are synthesized as needed. If an instance variable of the same name already exists, it is used.

`@dynamic`

You use the `@dynamic` keyword to tell the compiler that you will fulfill the API contract implied by a property either by providing method implementations directly or at runtime using other mechanisms such as dynamic loading of code or dynamic method resolution. The example shown in Listing 4-3 illustrates using direct method implementations—it is equivalent to the example given in Listing 4-2 (page 47).

Listing 4-3 Using `@dynamic` with direct method implementations

```
@interface MyClass : NSObject
{
    NSString *value;
}
@property(copy, readonly) NSString *value;
@end

// assume using garbage collection
@implementation MyClass
@dynamic value;

- (NSString *)value {
    return value;
}
- (void)setValue:(NSString *)newValue {
    if (newValue != value) {
        value = [newValue copy];
    }
}
@end
```

Property Declaration Attributes

You can optionally decorate a property with attributes by using the form `@property(attributes)`. The compiler uses these attributes to govern method and instance variable synthesis (note that instance variable synthesis is not supported in the 32-bit “fragile instance variable” runtime). If you are using garbage collection, you can use the storage modifiers `__weak` and `__strong` in a property’s declaration, but they are not a formal part of the list of attributes.

Like methods, properties are scoped to their enclosing interface declaration. For property declarations that use a comma delimited list of variable names, the property attributes apply to all of the named properties.

Properties

`getter=getterName, setter=setterName`

`getter=` and `setter=` specify respectively the names of get and set accessors for the property. The default names follow the convention set out for key-value coding (see *Key-Value Coding Programming Guide*).

The getter must return a type matching the property's type and take no arguments. The setter method must take a single argument of a type matching the property's type and must return `void`.

`readonly`

Indicates that the property is read-only. The default is read/write.

You get a compiler error if you attempt to assign a value using the dot syntax). Only a getter method is required in the `@implementation`, or if you use `@synthesize` only the getter method is synthesized.

`readwrite`

Indicates that the property should be treated as read/write. This is the default.

Both a getter and setter method will be required in the `@implementation`, or if you use `@synthesize` the getter and setter methods are synthesized.

`assign`

Specifies that simple assignment should be used in the setter. This is the default.

If you use this keyword and your application does not use garbage collection (GC), you get a compiler warning as this is rarely the correct behavior. For non-GC applications, you must explicitly specify one of the storage behavior attributes to avoid a warning for objects.

For applications that use GC, you will get a warning for this attribute if the variable adopts the `NSCopying` protocol as `assign` would typically be incorrect in that situation.

`retain`

Specifies that `retain` should be invoked on the object upon assignment.

This attribute is valid only for Objective-C object types. (You cannot specify `retain` for Core Foundation objects—see [“Core Foundation”](#) (page 51).)

`copy`

Specifies that a copy of the object should be used for assignment.

The copy is made by invoking the `copy` method. This attribute is valid only for object types, which must implement the `NSCopying` protocol.

`nonatomic`

Specifies that synthesized accessors will be non-atomic.

By default, all synthesized accessors are atomic. This is intended to provide robust access to properties in a multi-threaded environment—that is, the value returned from the getter or set via the setter is always fully retrieved or set regardless of what other threads are executing simultaneously. For more details, see [“Performance and Threading”](#) (page 50).

You can use the interface attributes `getter=`, `setter=`, `readonly`, `readwrite` in a class, category or protocol declaration. `assign`, `retain`, and `copy` are mutually exclusive operations. Only one of `readonly` and `readwrite` may appear in the attribute list. `setter=`/`getter=` are both optional and may appear with any other attribute save for `readonly`. If you specify that a property is `readonly` then also specify a setter with `setter=`, you will get a compiler warning.

If you instruct the compiler to create the accessor method(s) (using the `@synthesize` directive), the code it generates matches the specification given by the keywords. If you implement your the accessor method(s) yourself, you should ensure that it/they match the specification (for example, if you specify `copy` you must make sure that you do copy the input value in the setter method).

Property Re-declaration

You can re-declare a property in a subclass, but (with one exception) you must repeat its attributes in whole in the subclasses. The same holds true for a property declared in a category or protocol—while the property may be redeclared in a category or protocol, the property’s attributes must be repeated in whole.

The one exception is `readonly` vs. `readwrite`. A property declared as `readonly` can be redeclared as `readwrite` in a category, protocol or subclass—see “[Subclassing with Properties](#)” (page 57). In the case of a category redeclaration, that the property was redeclared prior any `@synthesize` statement will cause the setter to be synthesized. This enables two common implementation patterns; mutable subclass of an immutable class (`NSString`, `NSArray`, and `NSDictionary` are all examples) and a property that has public API that is `readonly` but a private `readwrite` implementation internal to the class.

Performance and Threading

If you supply your own method implementation, the fact that you declared a property has no effect on its efficiency or thread safety.

If you use synthesized properties, the method implementations generated by the compiler depend on the specification you supply. The declaration attributes that affect performance and threading are `retain`, `assign`, `copy`, and `nonatomic`. The first three of these affect only the implementation of the assignment part of the set method, as *illustrated* below (note that the implementation may not be exactly as shown):

```
// assign
property = newValue;

// retain
if (property != newValue)
{
    [property release];
    property = [newValue retain];
}

// copy
if (property != newValue)
{
    [property release];
    property = [newValue copy];
}
```

The effect of the `nonatomic` attribute depends on the environment. By default, the synthesized accessors are atomic. In a managed memory environment, guaranteeing atomic behavior requires the use of a lock; moreover a returned object is retained and autoreleased. If such accessors are invoked frequently, this may have a significant impact on performance. In a garbage collected environment, most synthesized methods are atomic without incurring this overhead.

It is important to understand that the goal of the atomic implementation is to provide *robust* accessors—it does not guarantee *correctness* of your code. Although “atomic” means that access to the *property* is thread-safe, simply making all the properties in your class atomic does not mean that your *class* or more generally your object graph is “thread safe”—thread safety cannot be expressed at the level of individual accessor methods. For more about multi-threading, see *Multithreading Programming Topics*.

Markup and Deprecation

Properties support the full range of C style decorators. Properties can be deprecated and support `__attribute__` style markup, as illustrated in the following example.

```
@property CGFloat x
AVAILABLE_MAC_OS_X_VERSION_10_1_AND_LATER_BUT_DEPRECATED_IN_MAC_OS_X_VERSION_10_4;
@property CGFloat y __attribute__((...));
```

Core Foundation

As noted in “[Property Implementation Directives](#)” (page 47), you cannot specify the `retain` attribute for non-object types. If, therefore, you declare a property whose type is a CType and synthesize the accessors as illustrated in the following example:

```
@interface MyClass : NSObject
{
    CGImageRef myImage;
}
@property(readwrite) CGImageRef myImage;
@end

@implementation MyClass
@synthesize myImage;
@end
```

then in a managed memory environment the generated set accessor will simply assign the new value to the instance variable (the new value is not retained and the old value is not released). This is typically incorrect, so you should not synthesize the methods, you should implement them yourself.

In a garbage collected environment, if the variable is declared strong:

```
...
__strong CGImageRef myImage;
...
@property CGImageRef myImage;
```

then the accessors are synthesized appropriately—the image will not be CFRetain'd, but the setter will trigger a write barrier.

Example

The following example illustrates the use of properties in several different ways:

- The Link protocol declares a property, `next`.
- MyClass adopts the Link protocol so implicitly also declares the property `next`. MyClass also declares several other properties.
- `creationTimestamp` and `next` are synthesized but use existing instance variables with different names;
- `name` is synthesized, and uses instance variable synthesis (recall that instance variable synthesis is not supported using the 32-bit runtime—see “Property Implementation Directives” (page 47) and “Runtime Differences” (page 59));
- `gratuitousFloat` has a `dynamic` directive—it is supported using direct method implementations;
- `nameAndAge` does not have a `dynamic` directive, but this is the default value; it is supported using a direct method implementation (since it is read-only, it only requires a getter) with a specified `name` (`nameAndAgeAsString`).

Listing 4-4 Declaring properties for a class

```
@protocol Link
@property id <Link> next;
@end

@interface MyClass : NSObject <Link>
{
    NSTimeInterval intervalSinceReferenceDate;
    CGFloat gratuitousFloat;
    id <Link> nextLink;
}
@property(readonly) NSTimeInterval creationTimestamp;
@property(copy) __strong NSString *name;
@property CGFloat gratuitousFloat;
@property(readonly, getter=nameAndAgeAsString) NSString *nameAndAge;
@end

@implementation MyClass

@synthesize creationTimestamp = intervalSinceReferenceDate, name;
// synthesizing 'name' is an error in the fragile instance variable runtime
// in the non-fragile instance variable runtime, the instance variable is
synthesized

@synthesize next = nextLink;
// uses instance variable "nextLink" for storage

@dynamic gratuitousFloat;
// will warn unless -gratuitousFloat and -setGratuitousFloat: occur in
@implementation
```

Properties

```

- (CGFloat)gratuitousFloat
{
    return gratuitousFloat;
}
- (void)setGratuitousFloat:(CGFloat)aValue
{
    gratuitousFloat = aValue;
}

- (NSString *)nameAndAgeAsString
{
    return [NSString stringWithFormat:@"%@@ (%fs)", self.name,
        [NSDate timeIntervalSinceReferenceDate] -
intervalSinceReferenceDate];
}

- init
{
    if (self = [super init])
    {
        intervalSinceReferenceDate = [NSDate timeIntervalSinceReferenceDate];
    }
    return self;
}

@end

```

The Dot Syntax

Objective-C provides a `(.)` operator that gives read and write access to properties. Reading a property *property* calls the getter method associated with the property (by default, *property*) and writing calls the setter method associated with the property (by default, *setProperty:*).

Overview

You can access properties using the dot `(.)` operator. Property expressions are implemented as standard key-value coding-compliant message sends—reading a property *property* calls the getter method associated with the property (by default, *property*) and writing calls the setter method associated with the property (by default, *setProperty:*). Declared properties therefore preserve encapsulation—despite appearances to the contrary, when you use declared properties you are not accessing an instance variable directly. The dot operator does allow for more flexible usage patterns, but these are strongly discouraged.

Although property expressions are functionally equivalent to message sends, the compiler can signal an error when it detects a write to a read-only property, whereas it can only generate an undeclared method warning you invoke a non-existent *setProperty:* method, which will fail at runtime.

The following examples illustrates the use of properties and the dot syntax.

Properties

Listing 4-5 Accessing properties using the dot syntax

```

Graphic *graphic = [[Graphic alloc] init];

NSColor *color = graphic.color;
CGFloat xLoc = graphic.xLoc;
BOOL hidden = graphic.hidden;
int textCharacterLength = graphic.text.length;

if (graphic.textHidden != YES)
{
    graphic.text = @"Hello";
}
graphic.bounds = NSMakeRect(10.0, 10.0, 20.0, 120.0);

```

The following statements are equivalent to the code shown in [Listing 4-5](#) (page 54), but use custom accessor methods (that you either implemented yourself or that were synthesized):

Listing 4-6 Accessing properties using accessor methods

```

Graphic *graphic = [[Graphic alloc] init];

NSColor *color = [graphic color];
CGFloat xLoc = [graphic xLoc];
BOOL hidden = [graphic hidden];
int textCharacterLength = [[graphic text] length];

if ([graphic isTextHidden] != YES)
{
    [graphic setText:@"Hello"];
}
[graphic setBounds:NSMakeRect(10.0, 10.0, 20.0, 120.0)];

```

You can also use properties with key-value coding—see [“Properties and Key-Value Coding”](#) (page 57).

For properties of the appropriate C language type, the meaning of compound assignments is well-defined. For example, you could update the length property of an instance of `NSMutableData` using compound assignments:

```

NSMutableData *data = [NSMutableData dataWithLength:1024];
data.length += 1024;
data.length *= 2;
data.length /= 4;

```

which is equivalent to:

```

[data setLength:[data length] + 1024];
[data setLength:[data length] * 2];
[data setLength:[data length] / 4];

```

There is one case where properties cannot be used. Consider the following code fragment:

```

id y;
x = y.z; // z is an undeclared property

```

Note that `y` is untyped and the `z` property is undeclared. There are several ways in which this could be interpreted. Since this is ambiguous, the statement is treated as an undeclared property error. If `z` is declared, then it is not ambiguous if there's only one declaration of a `z` property in the current compilation unit. If there are multiple declarations of a `z` property, as long as they all have the same type (such as `BOOL`) then it is legal. One source of ambiguity would also arise from one of them being declared `readonly`.

nil Values

If a `nil` value is encountered during property traversal, the result is the same as sending the equivalent message to `nil`. For example, the following pairs are all equivalent:

```
// each member of the path is an object
x = person.address.street.name;
x = [[[person address] street] name];

// the path contains a C struct
// will crash if window is nil or -contentView returns nil
y = window.contentView.bounds.origin.y;
y = [[window contentView] bounds].origin.y;

// an example of using a setter...
person.address.street.name = @"Oxford Road";
[[[person address] street] setName: @"Oxford Road"];
```

self

If you want to access a property of `self` using accessor methods, you must explicitly call out `self` as illustrated in this example:

```
self.age = 10;
```

If you do not use `self.`, you access the instance variable directly. In the following example, the `set` accessor method for the `age` property is *not* invoked:

```
age = 10;
```

Performance and Threading

The dot syntax generates code equivalent to the standard method invocation syntax. As a result, code using the dot syntax performs exactly the same as code written directly using the accessor methods. Since the dot syntax simply invokes methods, no additional thread dependencies are introduced as a result of its use.

Usage Summary

```
aVariable = anObject.aProperty;
```

Properties

Invokes the `aProperty` method and assigns the return value to `aVariable`. The type of the property `aProperty` and the type of `aVariable` must be compatible, otherwise you get a compiler warning.

```
anObject.name = @"New Name";
```

Invokes the `setName:` method on `anObject`, passing `@"New Name"` as the argument.

You get a compiler warning if `setName:` does not exist, if the property name does not exist, or if `setName:` returns anything but `void`.

```
xOrigin = aView.bounds.origin.x;
```

Invokes the `bounds` method and assigns `xOrigin` to be the value of the `origin.x` structure element of the `NSRect` returned by `bounds`.

```
NSInteger i = 10;
anObject.intValue = anotherObject.floatProperty = ++i;
```

Assigns `11` to both `anObject.intValue` and `anotherObject.floatProperty`. That is, the right hand side of the assignment is pre-evaluated and the result is passed to `setIntProperty:` and `setFloatProperty:`. The pre-evaluated result is coerced, as required, at each point of assignment.

Abusage Summary

The following patterns are strongly discouraged.

```
anObject.retain;
```

Generates a compiler warning (warning: value returned from property not used.).

```
/* method declaration */
- (BOOL) setFooIfYouCan: (MyClass *)newFoo;

/* code fragment */
anObject.fooIfYouCan = myInstance;
```

Generates a compiler warning that `setFooIfYouCan:` does not appear to be a setter method because it does not return `(void)`.

```
flag = aView.lockFocusIfCanDraw;
```

Invokes `lockFocusIfCanDraw` and assigns the return value to `flag`. This does not generate a compiler warning unless `flag`'s type mismatches the method's return type.

```
/* property declaration */
@property(readonly) NSInteger readonlyProperty;
/* method declaration */
- (void) setReadOnlyProperty: (NSInteger)newValue;

/* code fragment */
self.readonlyProperty = 5;
```

Since the property is declared `readonly`, this code generates a compiler warning (warning: assignment to readonly property 'readonlyProperty'). It will work at runtime, but simply adding a setter for a property does not imply `readwrite`.

Properties and Key-Value Coding

In Cocoa, there are two primary ways to access an object's properties: statically using direct invocations of accessor methods and dynamically using key-value coding (KVC). KVC defines generic property accessor methods—`valueForKey:` and `setValue:forKey:`—which identify properties with string-based keys. KVC is not meant as a general alternative to using accessor methods—it is for use by code that has no other option, because the code cannot know the names of the relevant properties at compile time.

Key-value coding and declared properties are orthogonal technologies. You can use KVC whether or not you use properties, and you can use properties whether or not you use KVC. Both, though, make use of a “dot syntax”. In the case of KVC, the syntax is used to delimit elements in a key path. It is important to remember that when you directly access a property using the dot syntax, you invoke the receiver's standard accessor methods (as a corollary, to emphasize, the dot syntax does not result in invocation of KVC methods `valueForKey:` or `setValue:forKey:`).

You can use KVC methods to access a property, for example, given a class defined as follows:

```
@interface MyClass
@property NSString *stringProperty;
@property NSInteger integerProperty;
@property MyClass *linkedInstance;
@end
```

you could access the properties in an instance using KVC:

```
MyClass *myInstance = [[MyClass alloc] init];
NSString *string = [myInstance valueForKey:@"stringProperty"];
[myInstance setValue:[NSNumber numberWithInt:2] forKey:@"integerProperty"];
```

To illustrate the difference between the properties dot syntax and KVC key paths, consider the following.

```
MyClass *anotherInstance = [[MyClass alloc] init];
myInstance.linkedInstance = anotherInstance;
myInstance.linkedInstance.integerProperty = 2;
```

This has the same result as:

```
MyClass *anotherInstance = [[MyClass alloc] init];
myInstance.linkedInstance = anotherInstance;
[myInstance setValue:[NSNumber numberWithInt:2]
 forKeyPath:@"linkedInstance.stringProperty"];
```

Subclassing with Properties

You can override a readonly property to make it writable. For example, you could define a class `MyInteger` with a readonly property, `value`:

```
@interface MyInteger : NSObject
{
    NSInteger value;
```

Properties

```

}
@property(readonly) NSInteger value;
@end

@implementation MyInteger
@synthesize value;
@end

```

You could then implement a subclass, `MyMutableInteger`, which redefines the property to make it writable:

```

@interface MyMutableInteger : Integer
@property(readwrite) NSInteger value;
@end

@implementation MyMutableInteger
@dynamic value;

- (void)setValue:(NSInteger)newX
{
    value = newX;
}
@end

```

Property Introspection

When the compiler encounters property declarations, it generates descriptive metadata that is associated with the enclosing class, category or protocol. This metadata is accessible through functions that support looking up a property by name on a class or protocol, obtaining the type of a property as an @encode string, and copying a list of a property's attributes as an array of C strings. A list of declared properties is available for each class and protocol.

The `Property` structure defines an opaque handle to a property descriptor.

```
typedef struct objc_property *Property;
```

The functions `class_getProperty` and `protocol_getProperty` look up a named property in a class and protocol respectively.

```
Property class_getProperty(Class cls, const char *name);
Property protocol_getProperty(Protocol *proto, const char *name);
```

The `class_copyPropertyList` and `protocol_copyPropertyList` functions return a malloc'd array of pointers to all of the properties declared in a class (including loaded categories) and protocol respectively.

```
Property* class_copyPropertyList(Class cls, uint32_t *count);
Property* protocol_copyPropertyList(Protocol *protocol, uint32_t *count);
```

The `property_getInfo` function returns the name and @encode type string of a property.

```
void property_getInfo(Property *property, const char **name, const char **type);
```

The `property_copyAttributeList` function returns a malloc'd array of pointers to C strings which represent a property's compile-time attribute list.

```
const char **property_copyAttributeList(Property *property, uint32_t *count);
```

Runtime Differences

In general the behavior of properties is identical on the 32- and 64-bit runtimes. There is one key difference, since the 64-bit runtime supports non-fragile instance variables whereas the 32-bit runtime does not.

Using the 32-bit runtime, you must fully declare instance variables in the `@interface` declaration block of a class since all clients of the class including—of course—subclasses must know the full storage details of the class. Since the storage definition of a class cannot change without incurring binary compatibility issues, synthesis of instance variables in the “fragile instance variable” runtime is not supported. For `@synthesize` to work in the “fragile instance variable” runtime, you must either provide an instance variable with the same name and compatible type of the property or specify another existing instance variable in the `@synthesize` statement.

For example:

```
@interface My32BitClass : NSObject
{
    CGFloat gratuitousFloat;
}
@property CGFloat gratuitousFloat;
@end

@implementation My32BitClass
@synthesize gratuitousFloat; // uses the instance variable "gratuitousFloat"
for storage
@end

@interface My64BitClass : NSObject
{ }
@property CGFloat gratuitousFloat;
@end

@implementation My64BitClass
@synthesize gratuitousFloat; // synthesizes the instance variable
"gratuitousFloat" for storage
@end
```


Protocols

Protocols declare methods that can be implemented by any class. Protocols are useful in at least three situations:

- To declare methods that others are expected to implement
- To declare the interface to an object while concealing its class
- To capture similarities among classes that are not hierarchically related

Declaring Interfaces for Others to Implement

Class and category interfaces declare methods that are associated with a particular class—mainly methods that the class implements. Informal and formal **protocols**, on the other hand, declare methods not associated with a class, but which any class, and perhaps many classes, might implement.

A protocol is simply a list of method declarations, unattached to a class definition. For example, these methods that report user actions on the mouse could be gathered into a protocol:

```
- (void)mouseDown:(NSEvent *)theEvent;
- (void)mouseDragged:(NSEvent *)theEvent;
- (void)mouseUp:(NSEvent *)theEvent;
```

Any class that wanted to respond to mouse events could adopt the protocol and implement its methods.

Protocols free method declarations from dependency on the class hierarchy, so they can be used in ways that classes and categories cannot. Protocols list methods that are (or may be) implemented somewhere, but the identity of the class that implements them is not of interest. What is of interest is whether or not a particular class **conforms** to the protocol—whether it has implementations of the methods the protocol declares. Thus objects can be grouped into types not just on the basis of similarities due to the fact that they inherit from the same class, but also on the basis of their similarity in conforming to the same protocol. Classes in unrelated branches of the inheritance hierarchy might be typed alike because they conform to the same protocol.

Protocols can play a significant role in object-oriented design, especially where a project is divided among many implementors or it incorporates objects developed in other projects. Cocoa software uses them heavily to support interprocess communication through Objective-C messages.

However, an Objective-C program doesn't need to use protocols. Unlike class definitions and message expressions, they're optional. Some Cocoa frameworks use them; some don't. It all depends on the task at hand.

Methods for Others to Implement

If you know the class of an object, you can look at its interface declaration (and the interface declarations of the classes it inherits from) to find what messages it responds to. These declarations advertise the messages it can receive. Protocols provide a way for it to also advertise the messages it sends.

Communication works both ways; objects send messages as well as receive them. For example, an object might delegate responsibility for a certain operation to another object, or it may on occasion simply need to ask another object for information. In some cases, an object might be willing to notify other objects of its actions so that they can take whatever collateral measures might be required.

If you develop the class of the sender and the class of the receiver as part of the same project (or if someone else has supplied you with the receiver and its interface file), this communication is easily coordinated. The sender simply imports the interface file of the receiver. The imported file declares the method selectors the sender uses in the messages it sends.

However, if you develop an object that sends messages to objects that aren't yet defined—objects that you're leaving for others to implement—you won't have the receiver's interface file. You need another way to declare the methods you use in messages but don't implement. A protocol serves this purpose. It informs the compiler about methods the class uses and also informs other implementors of the methods they need to define to have their objects work with yours.

Suppose, for example, that you develop an object that asks for the assistance of another object by sending it `helpOut:` and other messages. You provide an `assistant` instance variable to record the outlet for these messages and define a companion method to set the instance variable. This method lets other objects register themselves as potential recipients of your object's messages:

```
- setAssistant:anObject
{
    assistant = anObject;
}
```

Then, whenever a message is to be sent to the `assistant`, a check is made to be sure that the receiver implements a method that can respond:

```
- (BOOL)doWork
{
    ...
    if ( [assistant respondsToSelector:@selector(helpOut:)] ) {
        [assistant helpOut:self];
        return YES;
    }
    return NO;
}
```

Since, at the time you write this code, you can't know what kind of object might register itself as the `assistant`, you can only declare a protocol for the `helpOut:` method; you can't import the interface file of the class that implements it.

Declaring Interfaces for Anonymous Objects

A protocol can be used to declare the methods of an **anonymous object**, an object of unknown class. An anonymous object may represent a service or handle a limited set of functions, especially where only one object of its kind is needed. (Objects that play a fundamental role in defining an application's architecture and objects that you must initialize before using are not good candidates for anonymity.)

Objects are not anonymous to their developers, of course, but they are anonymous when the developer supplies them to someone else. For example, consider the following situations:

- Someone who supplies a framework or a suite of objects for others to use can include objects that are not identified by a class name or an interface file. Lacking the name and class interface, users have no way of creating instances of the class. Instead, the supplier must provide a ready-made instance. Typically, a method in another class returns a usable object:

```
id formatter = [receiver formattingService];
```

The object returned by the method is an object without a class identity, at least not one the supplier is willing to reveal. For it to be of any use at all, the supplier must be willing to identify at least some of the messages that it can respond to. This is done by associating the object with a list of methods declared in a protocol.

- You can send Objective-C messages to **remote objects**—objects in other applications. (“[Remote Messaging](#)” (page 117), discusses this possibility in more detail.)

Each application has its own structure, classes, and internal logic. But you don't need to know how another application works or what its components are to communicate with it. As an outsider, all you need to know is what messages you can send (the protocol) and where to send them (the receiver).

An application that publishes one of its objects as a potential receiver of remote messages must also publish a protocol declaring the methods the object will use to respond to those messages. It doesn't have to disclose anything else about the object. The sending application doesn't need to know the class of the object or use the class in its own design. All it needs is the protocol.

Protocols make anonymous objects possible. Without a protocol, there would be no way to declare an interface to an object without identifying its class.

Note: Even though the supplier of an anonymous object doesn't reveal its class, the object itself reveals it at runtime. A class message returns the anonymous object's class. However, there's usually little point in discovering this extra information; the information in the protocol is sufficient.

Non-Hierarchical Similarities

If more than one class implements a set of methods, those classes are often grouped under an abstract class that declares the methods they have in common. Each subclass may re-implement the methods in its own way, but the inheritance hierarchy and the common declaration in the abstract class captures the essential similarity between the subclasses.

However, sometimes it's not possible to group common methods in an abstract class. Classes that are unrelated in most respects might nevertheless need to implement some similar methods. This limited similarity may not justify a hierarchical relationship. For example, you might want to add support for creating XML representations of objects in your application and for initializing objects from an XML representation:

```
- (NSXMLElement *)XMLRepresentation;
- initWithXMLRepresentation:(NSXMLElement *)xmlString;
```

These methods could be grouped into a protocol and the similarity between implementing classes accounted for by noting that they all conform to the same protocol.

Objects can be typed by this similarity (the protocols they conform to), rather than by their class. For example, an `NSMatrix` instance must communicate with the objects that represent its cells. The matrix could require each of these objects to be a kind of `NSCell` (a type based on class) and rely on the fact that all objects that inherit from the `NSCell` class have the methods needed to respond to `NSMatrix` messages. Alternatively, the `NSMatrix` object could require objects representing cells to have methods that can respond to a particular set of messages (a type based on protocol). In this case, the `NSMatrix` object wouldn't care what class a cell object belonged to, just that it implemented the methods.

Formal Protocols

The Objective-C language provides a way to formally declare a list of methods as a protocol. Formal protocols are supported by the language and the runtime system. For example, the compiler can check for types based on protocols, and objects can introspect at runtime to report whether or not they conform to a protocol.

Declaring a Protocol

You declare formal protocols with the `@protocol` directive:

```
@protocol ProtocolName
method declarations
@end
```

For example, you could declare the XML representation protocol like this:

```
@protocol MyXMLSupport
- (NSXMLElement *)XMLRepresentation;
- initWithXMLRepresentation:(NSXMLElement *)XMLElement;
@end
```

Unlike class names, protocol names don't have global visibility. They live in their own namespace.

Optional Protocol Methods

Protocol methods can be marked as optional using the `@optional` keyword. Corresponding to the `@optional` modal keyword, there is a `@required` keyword to formally denote the semantics of the default behavior. You can use `@optional` and `@required` to partition your protocol into sections as you see fit. If you do not specify any keyword, the default is `@required`.

```
@protocol MyProtocol

- (void)requiredMethod;

@optional
- (void)anOptionalMethod;
- (void)anotherOptionalMethod;

@required
- (void)anotherRequiredMethod;

@end
```

Informal Protocols

In addition to formal protocols, you can also define an **informal** protocol by grouping the methods in a category declaration:

```
@interface NSObject ( MyXMLSupport )
- (NSXMLElement *) XMLRepresentation;
- initWithXMLRepresentation:(NSXMLElement *)XMLElement;
@end
```

Informal protocols are typically declared as categories of the `NSObject` class, since that broadly associates the method names with any class that inherits from `NSObject`. Because all classes inherit from the root class, the methods aren't restricted to any part of the inheritance hierarchy. (It would also be possible to declare an informal protocol as a category of another class to limit it to a certain branch of the inheritance hierarchy, but there is little reason to do so.)

When used to declare a protocol, a category interface doesn't have a corresponding implementation. Instead, classes that implement the protocol declare the methods again in their own interface files and define them along with other methods in their implementation files.

An informal protocol bends the rules of category declarations to list a group of methods but not associate them with any particular class or implementation.

Being informal, protocols declared in categories don't receive much language support. There's no type checking at compile time nor a check at runtime to see whether an object conforms to the protocol. To get these benefits, you must use a formal protocol. An informal protocol may be useful when implementing all the methods is optional, such as for a delegate, but (on Mac OS X v10.5 and later) it is typically better to use a formal protocol with optional methods.

Protocol Objects

Just as classes are represented at runtime by class objects and methods by selector codes, formal protocols are represented by a special data type—instances of the Protocol class. Source code that deals with a protocol (other than to use it in a type specification) must refer to the Protocol object.

In many ways, protocols are similar to class definitions. They both declare methods, and at runtime they're both represented by objects—classes by class objects and protocols by Protocol objects. Like class objects, Protocol objects are created automatically from the definitions and declarations found in source code and are used by the runtime system. They're not allocated and initialized in program source code.

Source code can refer to a Protocol object using the `@protocol()` directive—the same directive that declares a protocol, except that here it has a set of trailing parentheses. The parentheses enclose the protocol name:

```
Protocol *myXMLSupportProtocol = @protocol(MyXMLSupport);
```

This is the only way that source code can conjure up a Protocol object. Unlike a class name, a protocol name doesn't designate the object—except inside `@protocol()`.

The compiler creates a Protocol object for each protocol declaration it encounters, but only if the protocol is also:

- Adopted by a class, or
- Referred to somewhere in source code (using `@protocol()`)

Protocols that are declared but not used (except for type checking as described below) aren't represented by Protocol objects at runtime.

Adopting a Protocol

Adopting a protocol is similar in some ways to declaring a superclass. Both assign methods to the class. The superclass declaration assigns it inherited methods; the protocol assigns it methods declared in the protocol list. A class is said to **adopt** a formal protocol if in its declaration it lists the protocol within angle brackets after the superclass name:

```
@interface ClassName : ItsSuperclass < protocol list >
```

Categories adopt protocols in much the same way:

```
@interface ClassName ( CategoryName ) < protocol list >
```

A class can adopt more than one protocol; names in the protocol list are separated by commas.

```
@interface Formatter : NSObject < Formatting, Prettifying >
```

A class or category that adopts a protocol must implement all the required methods the protocol declares, otherwise the compiler issues a warning. The `Formatter` class above would define all the required methods declared in the two protocols it adopts, in addition to any it might have declared itself.

A class or category that adopts a protocol must import the header file where the protocol is declared. The methods declared in the adopted protocol are not declared elsewhere in the class or category interface.

It's possible for a class to simply adopt protocols and declare no other methods. For example, the following class declaration adopts the `Formatting` and `Prettifying` protocols, but declares no instance variables or methods of its own:

```
@interface Formatter : NSObject < Formatting, Prettifying >
@end
```

Conforming to a Protocol

A class is said to **conform** to a formal protocol if it adopts the protocol or inherits from another class that adopts it. An instance of a class is said to conform to the same set of protocols its class conforms to.

Since a class must implement all the required methods declared in the protocols it adopts, saying that a class or an instance conforms to a protocol is equivalent to saying that it has in its repertoire all the methods the protocol declares.

It's possible to check whether an object conforms to a protocol by sending it a `conformsToProtocol:` message.

```
if ( ![receiver conformsToProtocol:@protocol(MyXMLSupport)] ) {
    // Object does not conform to MyXMLSupport protocol
    // If you are expecting receiver to implement methods declared in the
    // MyXMLSupport protocol, this is probably an error
}
```

(Note that there is also a class method with the same name—`conformsToProtocol:`.)

The `conformsToProtocol: test` is like the `respondToSelector: test` for a single method, except that it tests whether a protocol has been adopted (and presumably all the methods it declares implemented) rather than just whether one particular method has been implemented. Because it checks for all the methods in the protocol, `conformsToProtocol:` can be more efficient than `respondToSelector:`.

The `conformsToProtocol: test` is also like the `isKindOfClass: test`, except that it tests for a type based on a protocol rather than a type based on the inheritance hierarchy.

Type Checking

Type declarations for objects can be extended to include formal protocols. Protocols thus offer the possibility of another level of type checking by the compiler, one that's more abstract since it's not tied to particular implementations.

In a type declaration, protocol names are listed between angle brackets after the type name:

```
- (id <Formatting>)formattingService;
id <MyXMLSupport> anObject;
```

Just as static typing permits the compiler to test for a type based on the class hierarchy, this syntax permits the compiler to test for a type based on conformance to a protocol.

For example, if `Formatter` is an abstract class, this declaration

```
Formatter *anObject;
```

groups all objects that inherit from `Formatter` into a type and permits the compiler to check assignments against that type.

Similarly, this declaration,

```
id <Formatting> anObject;
```

groups all objects that conform to the `Formatting` protocol into a type, regardless of their positions in the class hierarchy. The compiler can make sure only objects that conform to the protocol are assigned to the type.

In each case, the type groups similar objects—either because they share a common inheritance, or because they converge on a common set of methods.

The two types can be combined in a single declaration:

```
Formatter <Formatting> *anObject;
```

Protocols can't be used to type class objects. Only instances can be statically typed to a protocol, just as only instances can be statically typed to a class. (However, at runtime, both classes and instances will respond to a `conformsToProtocol:` message.)

Protocols Within Protocols

One protocol can incorporate other protocols using the same syntax that classes use to adopt a protocol:

```
@protocol ProtocolName < protocol list >
```

All the protocols listed between angle brackets are considered part of the *ProtocolName* protocol. For example, if the `Paging` protocol incorporates the `Formatting` protocol,

```
@protocol Paging < Formatting >
```

any object that conforms to the `Paging` protocol also conforms to `Formatting`. Type declarations

Protocols

```
id <Paging> someObject;

and conformsToProtocol: messages

if ( [anotherObject conformsToProtocol:@protocol(Paging)] )
    ...
```

need to mention only the Paging protocol to test for conformance to Formatting as well.

When a class adopts a protocol, it must implement the required methods the protocol declares, as mentioned earlier. In addition, it must conform to any protocols the adopted protocol incorporates. If an incorporated protocol incorporates still other protocols, the class must also conform to them. A class can conform to an incorporated protocol by either:

- Implementing the methods the protocol declares, or
- Inheriting from a class that adopts the protocol and implements the methods.

Suppose, for example, that the Pager class adopts the Paging protocol. If Pager is a subclass of NSObject,

```
@interface Pager : NSObject < Paging >
```

it must implement all the Paging methods, including those declared in the incorporated Formatting protocol. It adopts the Formatting protocol along with Paging.

On the other hand, if Pager is a subclass of Formatter (a class that independently adopts the Formatting protocol),

```
@interface Pager : Formatter < Paging >
```

it must implement all the methods declared in the Paging protocol proper, but not those declared in Formatting. Pager inherits conformance to the Formatting protocol from Formatter.

Note that a class can conform to a protocol without formally adopting it simply by implementing the methods declared in the protocol.

Referring to Other Protocols

When working on complex applications, you occasionally find yourself writing code that looks like this:

```
#import "B.h"

@protocol A
- foo:(id <B>)anObject;
@end
```

where protocol B is declared like this:

```
#import "A.h"

@protocol B
- bar:(id <A>)anObject;
```

```
@end
```

In such a situation, circularity results and neither file will compile correctly. To break this recursive cycle, you must use the `@protocol` directive to make a forward reference to the needed protocol instead of importing the interface file where the protocol is defined. The following code excerpt illustrates how you would do this:

```
@protocol B;  
  
@protocol A  
- foo:(id <B>)anObject;  
@end
```

Note that using the `@protocol` directive in this manner simply informs the compiler that “B” is a protocol to be defined later. It doesn’t import the interface file where protocol B is defined.

Fast Enumeration

Objective-C 2.0 provides a language feature that allows you to efficiently and safely enumerate over the contents of a collection using a concise syntax.

The for...in Feature

Objective-C 2.0 provides a language feature that allows you to enumerate over the contents of a collection. The syntax is defined as follows:

```
for ( Type newVariable in expression ) { stmts }
```

or

```
Type existingItem;
for ( existingItem in expression ) { stmts }
```

In both cases, *expression* yields an object that conforms to the `NSFastEnumeration` protocol, typically an array or enumerator (the Cocoa collection classes—`NSArray`, `NSDictionary`, and `NSSet`—adopt this protocol, as does `NSEnumerator`). Any class whose instances provide access to a collection of other objects can adopt the `NSFastEnumeration` protocol (see [“Implementing the NSFastEnumeration Protocol”](#) (page 72)). It should be obvious that in the cases of `NSArray` and `NSSet` the enumeration is over their contents. Other classes should make clear what property is iterated over—for example, `NSDictionary` and the Core Data class `NSManagedObjectModel` provide support for fast enumeration; `NSDictionary` enumerates its keys, and `NSManagedObjectModel` enumerates its entities.

There are several advantages to using fast enumeration:

- The enumeration is considerably more efficient than, for example, using `NSEnumerator` directly.
- The syntax is concise.
- Enumeration is “safe”—the enumerator has a mutation guard so that if you attempt to modify the collection during enumeration, an exception is raised.

Since mutation of the object during iteration is forbidden, you can perform multiple enumerations concurrently.

Using Fast Enumeration

The following code example illustrates using fast enumeration with `NSArray` and `NSDictionary` objects.

```
NSArray *array = [NSArray arrayWithObjects:
    @"One", @"Two", @"Three", @"Four", nil];

for (NSString *element in array) {
    NSLog(@"element: %@", element);
}

NSDictionary *dictionary = [NSDictionary dictionaryWithObjectsAndKeys:
    @"quattuor", @"four", @"quinque", @"five", @"sex", @"six", nil];

NSString *key;
for (key in dictionary) {
    NSLog(@"English: %@, Latin: %@", key, [dictionary valueForKey:key]);
}
```

You can also use `NSEnumerator` objects with fast enumeration, as illustrated in the following example:

```
NSArray *array = [NSArray arrayWithObjects:
    @"One", @"Two", @"Three", @"Four", nil];

NSEnumerator *enumerator = [array reverseObjectEnumerator];
for (NSString *element in enumerator) {
    if ([element isEqualToString:@"Three"]) {
        break;
    }
}

NSString *next = [enumerator nextObject];
// next = "Four"
```

Implementing the `NSFastEnumeration` Protocol

To implement a custom class that supports fast enumeration, you must implement the `NSFastEnumeration` protocol. The protocol comprises a single method—`countByEnumeratingWithState:objects:count:`.

```
@protocol NSFastEnumeration
- (NSUInteger)countByEnumeratingWithState:(NSFastEnumerationState *)state
  objects:(id *)stackbuf count:(NSUInteger)len;
@end
```

The first parameter is an enumeration structure (`NSFastEnumerationState`):

```
typedef struct {
    unsigned long state;
    id *itemsPtr;
    unsigned long *mutationsPtr;
    unsigned long extra[5];
} NSFastEnumerationState;
```

The following rules must be obeyed by any implementation:

1. On first entry, the "state" field will be 0, otherwise the client is neither allowed or required to alter state. State must be set to a non-zero before returning a non-zero count (otherwise the client will go into an infinite loop expecting a zero return, and the object will always be starting a new enumeration). For complicated enumerations "extra" is supplied to hold extra state.
2. On exit, a count of 0 means that there are no objects available for enumeration. This may reflect a bad or inconsistent internal state, or more normally it may simply reflect that no more objects are available. But if the value is zero, the client can make no assumptions about the content of state.
3. A non-zero count return implies that `itemsPtr` has been set to point to the first of the non-zero count objects. This is encouraged to be a pointer to internal object state where feasible. If not feasible, the client has supplied a stack buffer at "objects" and the length in the "count" parameter, and the object pointers to be iterated should be copied there (no GC primitives required). In addition, `mutationsPtr` is set to a valid address that should track some form of change counter for this object. If the object is immutable, this pointer could point to the object itself.
4. The protocol is designed to work when sent to `nil` objects.

When `countByEnumeratingWithState:objects:count:` is invoked, the receiver is passed an enumeration structure with the first field `state` set to zero. When enumeration is ended, this method returns 0. Items are returned indirectly by setting the `itemsPtr` field. The `mutationsPtr` field must be set to point to a location that changes if your object is mutated. If mutations are not possible, this pointer can be set to the object itself, whose first field will never change. If the `stackbuf` argument is supplied, you can use it as a buffer to hold several copied items, or the "extra" state fields may be used to hold the returned values. You can use the state fields in any way necessary to perform the iteration. The state structure is assumed to be of stack local memory and—from a garbage collection perspective—does not require write-barriers on stores, so you can recast the passed-in state structure to one more suitable for your iteration.

The compiler transforms the following code:

```
for ( id elem in collection ) { stmts }
```

into:

```
{
    id elem;
    NSEnumerationState __enumState = { 0 };
    id __items[16];

    unsigned long __limit =
        [collection countByEnumeratingWithState:&__enumState objects:__items
count:16];
    unsigned __counter = 0;
    unsigned long __startMutations = * __enumState.mutationsPtr;

    if (__limit) do {

        __counter = 0
        do {
            if (__startMutations != * __enumState.mutationsPtr)
objc_enumerationMutation();
```

Fast Enumeration

```
        elem = __enumState.itemsPtr[__counter++];
stmts;
    } while (__counter0 < __limit);

    } while (__limit = [collection countByEnumeratingWithState:&__enumState
objects:__items count:16]);
};
```

First, the state field is set to 0 to indicate the first time entry. Next, `countByEnumeratingWithState:objects:count:` is invoked which returns the count of the first batch of items to iterate. If this is zero, the enumeration is finished, otherwise the program enters an inner loop to iterate through the items ready at the end of which it exits to the outer loop to get another batch. For each item, the compiler first checks to see if the collection has been mutated before attempting to dereference the indirect pointer. If the collection has been mutated, an exception is raised. If it has not, the item is extracted and control passes to the `stmts` provided.

How Messaging Works

This chapter describes how the message expressions are converted into `objc_msgSend` function calls, and how you can refer to methods by name. It then explains how you can take advantage of `objc_msgSend`, and the roles of `self` and `super`.

The `objc_msgSend` Function

In Objective-C, messages aren't bound to method implementations until runtime. The compiler converts a message expression,

```
[receiver message]
```

into a call on a messaging function, `objc_msgSend`. This function takes the receiver and the name of the method mentioned in the message—that is, the method selector—as its two principal parameters:

```
objc_msgSend(receiver, selector)
```

Any arguments passed in the message are also handed to `objc_msgSend`:

```
objc_msgSend(receiver, selector, arg1, arg2, ...)
```

The messaging function does everything necessary for dynamic binding:

- It first finds the procedure (method implementation) that the selector refers to. Since the same method can be implemented differently by separate classes, the precise procedure that it finds depends on the class of the receiver.
- It then calls the procedure, passing it the receiving object (a pointer to its data), along with any arguments that were specified for the method.
- Finally, it passes on the return value of the procedure as its own return value.

Note: The compiler generates calls to the messaging function. You should never call it directly in the code you write.

The key to messaging lies in the structures that the compiler builds for each class and object. Every class structure includes these two essential elements:

- A pointer to the superclass.

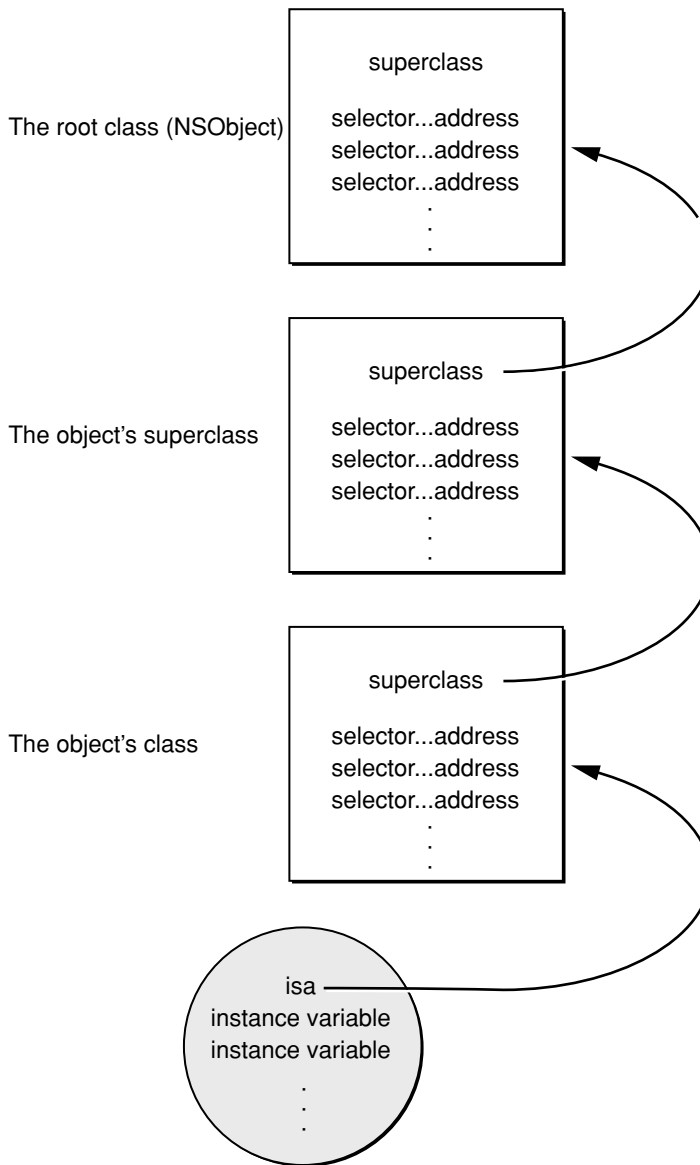
- A class **dispatch table**. This table has entries that associate method selectors with the class-specific addresses of the methods they identify. The selector for the `setOrigin::` method is associated with the address of (the procedure that implements) `setOrigin::`, the selector for the `display` method is associated with `display`'s address, and so on.

When a new object is created, memory for it is allocated, and its instance variables are initialized. First among the object's variables is a pointer to its class structure. This pointer, called `isa`, gives the object access to its class and, through the class, to all the classes it inherits from.

Note: While not strictly a part of the language, the `isa` pointer is required for an object to work with the Objective-C runtime system. An object needs to be “equivalent” to a `struct objc_object` (defined in `objc/objc.h`) in whatever fields the structure defines. However, you rarely, if ever, need to create your own root object, and objects that inherit from `NSObject` or `NSProxy` automatically have the `isa` variable.

These elements of class and object structure are illustrated in Figure 7-1.

Figure 7-1 Messaging Framework



When a message is sent to an object, the messaging function follows the object's `isa` pointer to the class structure where it looks up the method selector in the dispatch table. If it can't find the selector there, `objc_msgSend` follows the pointer to the superclass and tries to find the selector in its dispatch table. Successive failures cause `objc_msgSend` to climb the class hierarchy until it reaches the `NSObject` class. Once it locates the selector, the function calls the method entered in the table and passes it the receiving object's data structure.

This is the way that method implementations are chosen at runtime—or, in the jargon of object-oriented programming, that methods are dynamically bound to messages.

To speed the messaging process, the runtime system caches the selectors and addresses of methods as they are used. There's a separate cache for each class, and it can contain selectors for inherited methods as well as for methods defined in the class. Before searching the dispatch tables, the messaging routine first checks the cache of the receiving object's class (on the theory that a method that was used

once may likely be used again). If the method selector is in the cache, messaging is only slightly slower than a function call. Once a program has been running long enough to “warm up” its caches, almost all the messages it sends find a cached method. Caches grow dynamically to accommodate new messages as the program runs.

Selectors

For efficiency, full ASCII names are not used as method selectors in compiled code. Instead, the compiler writes each method name into a table, then pairs the name with a unique identifier that represents the method at runtime. The runtime system makes sure each identifier is unique: No two selectors are the same, and all methods with the same name have the same selector. Compiled selectors are assigned to a special type, `SEL`, to distinguish them from other data. Valid selectors are never 0. You must let the system assign `SEL` identifiers to methods; it’s futile to assign them arbitrarily.

The `@selector()` directive lets Objective-C source code refer to the compiled selector, rather than to the full method name. Here, the selector for `setWidth:height:` is assigned to the `setWidthHeight` variable:

```
SEL setWidthHeight;
setWidthHeight = @selector(setWidth:height:);
```

It’s most efficient to assign values to `SEL` variables at compile time with the `@selector()` directive. However, in some cases, a program may need to convert a character string to a selector at runtime. This can be done with the `NSStringFromClass` function:

```
setWidthHeight = NSStringFromClass(aBuffer);
```

Conversion in the opposite direction is also possible. The `NSStringFromSelector` function returns a method name for a selector:

```
NSString *method;
method = NSStringFromSelector(setWidthHeight);
```

These and other runtime functions are described in the Cocoa framework reference documentation.

Methods and Selectors

Compiled selectors identify method names, not method implementations. `Rectangle`’s `display` method, for example, has the same selector as `display` methods defined in other classes. This is essential for polymorphism and dynamic binding; it lets you send the same message to receivers belonging to different classes. If there were one selector per method implementation, a message would be no different than a function call.

A class method and an instance method with the same name are assigned the same selector. However, because of their separate domains, there’s no confusion between the two. A class could define a `display` class method in addition to a `display` instance method.

Method Return and Argument Types

The messaging routine has access to method implementations only through selectors, so it treats all methods with the same selector alike. It discovers the return type of a method, and the data types of its arguments, from the selector. Therefore, except for messages sent to statically typed receivers, dynamic binding requires all implementations of identically named methods to have the same return type and the same argument types. (Statically typed receivers are an exception to this rule, since the compiler can learn about the method implementation from the class type.)

Although identically named class methods and instance methods are represented by the same selector, they can have different argument and return types.

Varying the Message at Runtime

The `performSelector:`, `performSelector:withObject:`, and `performSelector:withObject:withObject:` methods, defined in the `NSObject` protocol, take SEL identifiers as their initial arguments. All three methods map directly into the messaging function. For example,

```
[friend performSelector:@selector(gossipAbout:)
 withObject:aNeighbor];
```

is equivalent to:

```
[friend gossipAbout:aNeighbor];
```

These methods make it possible to vary a message at runtime, just as it's possible to vary the object that receives the message. Variable names can be used in both halves of a message expression:

```
id helper = getTheReceiver();
SEL request = getTheSelector();
[helper performSelector:request];
```

In this example, the receiver (`helper`) is chosen at runtime (by the fictitious `getTheReceiver` function), and the method the receiver is asked to perform (`request`) is also determined at runtime (by the equally fictitious `getTheSelector` function).

Note: `performSelector:` and its companion methods return an `id`. If the method that's performed returns a different type, it should be cast to the proper type. (However, casting doesn't work for all types; the method should return a pointer or a type compatible with a pointer.)

The Target-Action Design Pattern

In its treatment of user-interface controls, the Application Kit makes good use of the ability to vary both the receiver and the message.

`NSControl` objects are graphical devices that can be used to give instructions to an application. Most resemble real-world control devices such as buttons, switches, knobs, text fields, dials, menu items, and the like. In software, these devices stand between the application and the user. They interpret

events coming from hardware devices like the keyboard and mouse and translate them into application-specific instructions. For example, a button labeled “Find” would translate a mouse click into an instruction for the application to start searching for something.

The Application Kit defines a template for creating control devices and defines a few “off-the-shelf” devices of its own. For example, the `NSButtonCell` class defines an object that you can assign to an `NSMatrix` instance and initialize with a size, a label, a picture, a font, and a keyboard alternative. When the user clicks the button (or uses the keyboard alternative), the `NSButtonCell` object sends a message instructing the application to do something. To do this, an `NSButtonCell` object must be initialized not just with an image, a size, and a label, but with directions on what message to send and who to send it to. Accordingly, an `NSButtonCell` instance can be initialized for an action message, the method selector it should use in the message it sends, and a target, the object that should receive the message.

```
[myButtonCell setAction:@selector(reapTheWind:)];
[myButtonCell setTarget:anObject];
```

The button cell sends the message using `NSObject`’s `performSelector:withObject:` method. All action messages take a single argument, the `id` of the control device sending the message.

If Objective-C didn’t allow the message to be varied, all `NSButtonCell` objects would have to send the same message; the name of the method would be frozen in the `NSButtonCell` source code. Instead of simply implementing a mechanism for translating user actions into action messages, button cells and other controls would have to constrain the content of the message. This would make it difficult for any object to respond to more than one button cell. There would either have to be one target for each button, or the target object would have to discover which button the message came from and act accordingly. Each time you rearranged the user interface, you would also have to re-implement the method that responds to the action message. This would be an unnecessary complication that Objective-C happily avoids.

Avoiding Messaging Errors

If an object receives a message to perform a method that isn’t in its repertoire, an error results. It’s the same sort of error as calling a nonexistent function. But because messaging occurs at runtime, the error often isn’t evident until the program executes.

It’s relatively easy to avoid this error when the message selector is constant and the class of the receiving object is known. As you write your programs, you can make sure that the receiver is able to respond. If the receiver is statically typed, the compiler performs this test for you.

However, if the message selector or the class of the receiver varies, it may be necessary to postpone this test until runtime. The `respondsToSelector:` method, defined in the `NSObject` class, determines whether a receiver can respond to a message. It takes the method selector as an argument and returns whether the receiver has access to a method matching the selector:

```
if ( [anObject respondsToSelector:@selector(setOrigin:)] )
    [anObject setOrigin:0.0 :0.0];
else
    fprintf(stderr, "%s can't be placed\n",
           [NSStringFromClass([anObject class]) UTF8String]);
```

The `respondToSelector: test` is especially important when sending messages to objects that you don't have control over at compile time. For example, if you write code that sends a message to an object represented by a variable that others can set, you should make sure the receiver implements a method that can respond to the message.

Note: An object can also arrange to have the messages it receives forwarded to other objects if it can't respond to them directly itself. In that case, it appears that the object can handle the message, even though the object responds to the message indirectly by assigning it to another object. See [“Forwarding”](#) (page 112) for more information.

Dynamic Method Resolution

You can provide implementations of class and instance methods at runtime using dynamic method resolution. See [“Dynamic Method Resolution”](#) (page 116) in [“The Runtime System”](#) (page 103) for more details.

Using Hidden Arguments

When the `objc_msgSend` finds the procedure that implements a method, it calls the procedure and passes it all the arguments in the message. It also passes the procedure two hidden arguments:

- The receiving object
- The selector for the method

These arguments give every method implementation explicit information about the two halves of the message expression that invoked it. They're said to be “hidden” because they aren't declared in the source code that defines the method. They're inserted into the implementation when the code is compiled.

Although these arguments aren't explicitly declared, source code can still refer to them (just as it can refer to the receiving object's instance variables). A method refers to the receiving object as `self`, and to its own selector as `_cmd`. In the example below, `_cmd` refers to the selector for the `strange` method and `self` to the object that receives a `strange` message.

```
- strange
{
    id target = getTheReceiver();
    SEL method = getTheMethod();

    if ( target == self || method == _cmd )
        return nil;
    return [target performSelector:method];
}
```

`self` is the more useful of the two arguments. It is, in fact, the way the receiving object's instance variables are made available to the method definition.

Messages to self and super

Objective-C provides two terms that can be used within a method definition to refer to the object that performs the method—`self` and `super`.

Suppose, for example, that you define a `reposition` method that needs to change the coordinates of whatever object it acts on. It can invoke the `setOrigin::` method to make the change. All it needs to do is send a `setOrigin::` message to the same object that the `reposition` message itself was sent to. When you're writing the `reposition` code, you can refer to that object as either `self` or `super`. The `reposition` method could read either:

```
- reposition
{
    ...
    [self setOrigin:someX :someY];
    ...
}
```

or:

```
- reposition
{
    ...
    [super setOrigin:someX :someY];
    ...
}
```

Here, `self` and `super` both refer to the object receiving a `reposition` message, whatever object that may happen to be. The two terms are quite different, however. `self` is one of the hidden arguments that the messaging routine passes to every method; it's a local variable that can be used freely within a method implementation, just as the names of instance variables can be. `super` is a term that substitutes for `self` only as the receiver in a message expression. As receivers, the two terms differ principally in how they affect the messaging process:

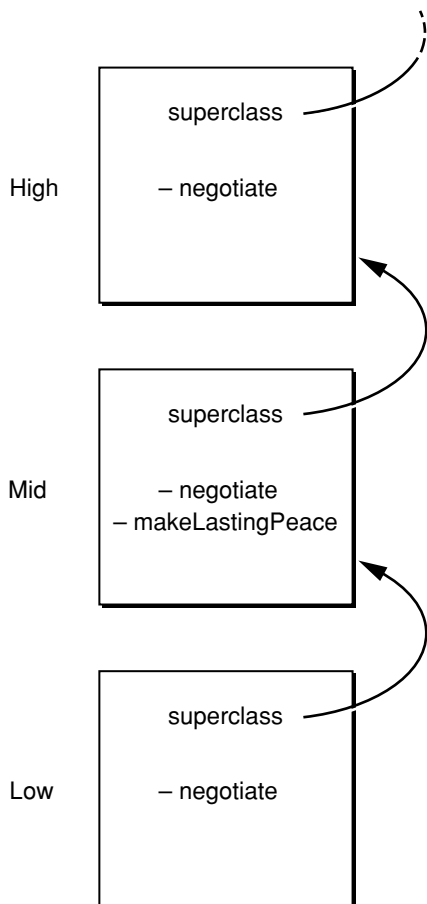
- `self` searches for the method implementation in the usual manner, starting in the dispatch table of the receiving object's class. In the example above, it would begin with the class of the object receiving the `reposition` message.
- `super` starts the search for the method implementation in a very different place. It begins in the superclass of the class that defines the method where `super` appears. In the example above, it would begin with the superclass of the class where `reposition` is defined.

Wherever `super` receives a message, the compiler substitutes another messaging routine for the `objc_msgSend` function. The substitute routine looks directly to the superclass of the defining class—that is, to the superclass of the class sending the message to `super`—rather than to the class of the object receiving the message.

An Example

The difference between `self` and `super` becomes clear in a hierarchy of three classes. Suppose, for example, that we create an object belonging to a class called `Low`. `Low`'s superclass is `Mid`; `Mid`'s superclass is `High`. All three classes define a method called `negotiate`, which they use for a variety of purposes. In addition, `Mid` defines an ambitious method called `makeLastingPeace`, which also has need of the `negotiate` method. This is illustrated in Figure 7-2:

Figure 7-2 High, Mid, Low



We now send a message to our `Low` object to perform the `makeLastingPeace` method, and `makeLastingPeace`, in turn, sends a `negotiate` message to the same `Low` object. If source code calls this object `self`,

```

- makeLastingPeace
{
    [self negotiate];
    ...
}
  
```

the messaging routine finds the version of `negotiate` defined in `Low`, `self`'s class. However, if `Mid`'s source code calls this object `super`,

```
- makeLastingPeace
{
    [super negotiate];
    ...
}
```

the messaging routine will find the version of `negotiate` defined in `High`. It ignores the receiving object's class (`Low`) and skips to the superclass of `Mid`, since `Mid` is where `makeLastingPeace` is defined. Neither message finds `Mid`'s version of `negotiate`.

As this example illustrates, `super` provides a way to bypass a method that overrides another method. Here it enabled `makeLastingPeace` to avoid the `Mid` version of `negotiate` that redefined the original `High` version.

Not being able to reach `Mid`'s version of `negotiate` may seem like a flaw, but, under the circumstances, it's right to avoid it:

- The author of the `Low` class intentionally overrode `Mid`'s version of `negotiate` so that instances of the `Low` class (and its subclasses) would invoke the redefined version of the method instead. The designer of `Low` didn't want `Low` objects to perform the inherited method.
- In sending the message to `super`, the author of `Mid`'s `makeLastingPeace` method intentionally skipped over `Mid`'s version of `negotiate` (and over any versions that might be defined in classes like `Low` that inherit from `Mid`) to perform the version defined in the `High` class. `Mid`'s designer wanted to use the `High` version of `negotiate` and no other.

`Mid`'s version of `negotiate` could still be used, but it would take a direct message to a `Mid` instance to do it.

Using `super`

Messages to `super` allow method implementations to be distributed over more than one class. You can override an existing method to modify or add to it, and still incorporate the original method in the modification:

```
- negotiate
{
    ...
    return [super negotiate];
}
```

For some tasks, each class in the inheritance hierarchy can implement a method that does part of the job and passes the message on to `super` for the rest. The `init` method, which initializes a newly allocated instance, is designed to work like this. Each `init` method has responsibility for initializing the instance variables defined in its class. But before doing so, it sends an `init` message to `super` to have the classes it inherits from initialize their instance variables. Each version of `init` follows this procedure, so classes initialize their instance variables in the order of inheritance:

```
- (id)init
{
    [super init];
    ...
}
```

It's also possible to concentrate core functionality in one method defined in a superclass, and have subclasses incorporate the method through messages to `super`. For example, every class method that creates an instance must allocate storage for the new object and initialize its `isa` pointer to the class structure. This is typically left to the `alloc` and `allocWithZone:` methods defined in the `NSObject` class. If another class overrides these methods (a rare case), it can still get the basic functionality by sending a message to `super`.

Redefining self

`super` is simply a flag to the compiler telling it where to begin searching for the method to perform; it's used only as the receiver of a message. But `self` is a variable name that can be used in any number of ways, even assigned a new value.

There's a tendency to do just that in definitions of class methods. Class methods are often concerned not with the class object, but with instances of the class. For example, many class methods combine allocation and initialization of an instance, often setting up instance variable values at the same time. In such a method, it might be tempting to send messages to the newly allocated instance and to call the instance `self`, just as in an instance method. But that would be an error. `self` and `super` both refer to the receiving object—the object that gets a message telling it to perform the method. Inside an instance method, `self` refers to the instance; but inside a class method, `self` refers to the class object. This is an example of what not to do:

```
+ (Rectangle *)rectangleOfColor:(NSColor *) color
{
    self = [[Rectangle alloc] init]; // BAD
    [self setColor:color];
    return [self autorelease];
}
```

To avoid confusion, it's usually better to use a variable other than `self` to refer to an instance inside a class method:

```
+ (id)rectangleOfColor:(NSColor *)color
{
    id newInstance = [[Rectangle alloc] init]; // GOOD
    [newInstance setColor:color];
    return [newInstance autorelease];
}
```

In fact, rather than sending the `alloc` message to the class in a class method, it's often better to send `alloc` to `self`. This way, if the class is subclassed, and the `rectangleOfColor:` message is received by a subclass, the instance returned will be the same type as the subclass (for example, the `array` method of `NSArray` is inherited by `NSMutableArray`).

```
+ (id)rectangleOfColor:(NSColor *)color
{
    id newInstance = [[self alloc] init]; // EXCELLENT
    [newInstance setColor:color];
    return [newInstance autorelease];
}
```

See [“Allocating and Initializing Objects”](#) (page 104) for more information about object allocation.

Enabling Static Behavior

This chapter explains how static typing works and discusses some other features of Objective-C, including ways to temporarily overcome its inherent dynamism.

Objective-C objects are dynamic entities. As many decisions about them as possible are pushed from compile time to runtime:

- The memory for objects is **dynamically allocated** at runtime by class methods that create new instances.
- Objects are **dynamically typed**. In source code (at compile time), any object pointer can be of type `id` no matter what the object's class is. The exact class of an `id` variable (and therefore its particular methods and data structure) isn't determined until the program runs.
- Messages and methods are **dynamically bound**, as described under [“How Messaging Works”](#) (page 75). A runtime procedure matches the method selector in the message to a method implementation that “belongs to” the receiver.

These features give object-oriented programs a great deal of flexibility and power, but there's a price to pay. Messages are somewhat slower than function calls, for example, (though not much slower due to the efficiency of the runtime system) and the compiler can't check the exact types (classes) of `id` variables.

To permit better compile-time type checking, and to make code more self-documenting, Objective-C allows objects to be statically typed with a class name rather than generically typed as `id`. It also lets you turn some of its object-oriented features off in order to shift operations from runtime back to compile time.

Static Typing

If a pointer to a class name is used in place of `id` in an object declaration,

```
Rectangle *thisObject;
```

the compiler restricts the value of the declared variable to be either an instance of the class named in the declaration or an instance of a class that inherits from the named class. In the example above, `thisObject` can only be a `Rectangle` of some kind.

Statically typed objects have the same internal data structures as objects declared to be `id`s. The type doesn't affect the object; it affects only the amount of information given to the compiler about the object and the amount of information available to those reading the source code.

Static typing also doesn't affect how the object is treated at runtime. Statically typed objects are dynamically allocated by the same class methods that create instances of type `id`. If `Square` is a subclass of `Rectangle`, the following code would still produce an object with all the instance variables of a `Square`, not just those of a `Rectangle`:

```
Rectangle *thisObject = [[Square alloc] init];
```

Messages sent to statically typed objects are dynamically bound, just as objects typed `id` are. The exact type of a statically typed receiver is still determined at runtime as part of the messaging process. A `display` message sent to `thisObject`

```
[thisObject display];
```

performs the version of the method defined in the `Square` class, not the one in its `Rectangle` superclass.

By giving the compiler more information about an object, static typing opens up possibilities that are absent for objects typed `id`:

- In certain situations, it allows for compile-time type checking.
- It can free objects from the restriction that identically named methods must have identical return and argument types.
- It permits you to use the structure pointer operator to directly access an object's instance variables.

The first two topics are discussed in the sections that follow. The third is covered in [“Defining a Class”](#) (page 31).

Type Checking

With the additional information provided by static typing, the compiler can deliver better type-checking services in two situations:

- When a message is sent to a statically typed receiver, the compiler can make sure the receiver can respond. A warning is issued if the receiver doesn't have access to the method named in the message.
- When a statically typed object is assigned to a statically typed variable, the compiler makes sure the types are compatible. A warning is issued if they're not.

An assignment can be made without warning, provided the class of the object being assigned is identical to, or inherits from, the class of the variable receiving the assignment. The following example illustrates this:

```
Shape      *aShape;
Rectangle *aRect;

aRect = [[Rectangle alloc] init];
aShape = aRect;
```

Here `aRect` can be assigned to `aShape` because a `Rectangle` is a kind of `Shape`—the `Rectangle` class inherits from `Shape`. However, if the roles of the two variables are reversed and `aShape` is assigned to `aRect`, the compiler generates a warning; not every `Shape` is a `Rectangle`. (For reference, see [Figure 1-2](#) (page 22), which shows the class hierarchy including `Shape` and `Rectangle`.)

There’s no check when the expression on either side of the assignment operator is an `id`. A statically typed object can be freely assigned to an `id`, or an `id` to a statically typed object. Because methods like `alloc` and `init` return `ids`, the compiler doesn’t ensure that a compatible object is returned to a statically typed variable. The following code is error-prone, but is allowed nonetheless:

```
Rectangle *aRect;
aRect = [[Shape alloc] init];
```

Return and Argument Types

In general, methods in different classes that have the same selector (the same name) must also share the same return and argument types. This constraint is imposed by the compiler to allow dynamic binding. Because the class of a message receiver (and therefore class-specific details about the method it’s asked to perform), can’t be known at compile time, the compiler must treat all methods with the same name alike. When it prepares information on method return and argument types for the runtime system, it creates just one method description for each method selector.

However, when a message is sent to a statically typed object, the class of the receiver is known by the compiler. The compiler has access to class-specific information about the methods. Therefore, the message is freed from the restrictions on its return and argument types.

Static Typing to an Inherited Class

An instance can be statically typed to its own class or to any class that it inherits from. All instances, for example, can be statically typed as `NSObject`.

However, the compiler understands the class of a statically typed object only from the class name in the type designation, and it does its type checking accordingly. Typing an instance to an inherited class can therefore result in discrepancies between what the compiler thinks would happen at runtime and what actually happens.

For example, if you statically type a `Rectangle` instance as a `Shape`,

```
Shape *myRect = [[Rectangle alloc] init];
```

the compiler will treat it as a `Shape`. If you send the object a message to perform a `Rectangle` method,

```
BOOL solid = [myRect isFilled];
```

the compiler will complain. The `isFilled` method is defined in the `Rectangle` class, not in `Shape`.

However, if you send it a message to perform a method that the `Shape` class knows about,

```
[myRect display];
```

the compiler won’t complain, even though `Rectangle` overrides the method. At runtime, `Rectangle`’s version of the method is performed.

Similarly, suppose that the Upper class declares a `worry` method that returns a `double`,

```
- (double)worry;
```

and the Middle subclass of Upper overrides the method and declares a new return type:

```
- (int)worry;
```

If an instance is statically typed to the Upper class, the compiler will think that its `worry` method returns a `double`, and if an instance is typed to the Middle class, it will think that `worry` returns an `int`. Errors will obviously result if a Middle instance is typed to the Upper class. The compiler will inform the runtime system that a `worry` message sent to the object returns a `double`, but at runtime it actually returns an `int` and generates an error.

Static typing can free identically named methods from the restriction that they must have identical return and argument types, but it can do so reliably only if the methods are declared in different branches of the class hierarchy.

Getting a Method Address

The only way to circumvent dynamic binding is to get the address of a method and call it directly as if it were a function. This might be appropriate on the rare occasions when a particular method will be performed many times in succession and you want to avoid the overhead of messaging each time the method is performed.

With a method defined in the `NSObject` class, `methodForSelector:`, you can ask for a pointer to the procedure that implements a method, then use the pointer to call the procedure. The pointer that `methodForSelector:` returns must be carefully cast to the proper function type. Both return and argument types should be included in the cast.

The example below shows how the procedure that implements the `setFilled:` method might be called:

```
void (*setter)(id, SEL, BOOL);
int i;

setter = (void (*)(id, SEL, BOOL))[target
    methodForSelector:@selector(setFilled:)];
for ( i = 0; i < 1000, i++ )
    setter(targetList[i], @selector(setFilled:), YES);
```

The first two arguments passed to the procedure are the receiving object (`self`) and the method selector (`_cmd`). These arguments are hidden in method syntax but must be made explicit when the method is called as a function.

Using `methodForSelector:` to circumvent dynamic binding saves most of the time required by messaging. However, the savings will be significant only where a particular message is repeated many times, as in the `for` loop shown above.

Note that `methodForSelector:` is provided by the Cocoa runtime system; it's not a feature of the Objective-C language itself.

Exception Handling

Objective-C provides support for exception handling and thread synchronization, which are explained in this article and [“Threading”](#) (page 95). To turn on support for these features, use the `-fobjc-exceptions` switch of the GNU Compiler Collection (GCC) version 3.3 and later.

Note: Using either of these features in a program, renders the application runnable only in Mac OS X v10.3 and later because runtime support for exception handling and synchronization is not present in earlier versions of the software.

Handling Exceptions

The Objective-C language has an exception-handling syntax similar to that of Java and C++. Coupled with the use of the `NSException`, `NSError`, or custom classes, you can add robust error-handling to your programs.

The exception support revolves around four compiler directives: `@try`, `@catch`, `@throw`, and `@finally`. Code that can potentially throw an exception is enclosed in a `@try` block. `@catch()` blocks contain the exception-handling logic for exceptions thrown in a `@try` block. A `@finally` block contains code that must be executed whether an exception is thrown or not. You use the `@throw` directive to throw an exception, which is essentially a pointer to an Objective-C object. You can use `NSException` objects but are not limited to them.

The example below depicts a simple exception-handling algorithm:

```
Cup *cup = [[Cup alloc] init];

@try {
    [cup fill];
}
@catch (NSException *exception) {
    NSLog(@"main: Caught %@: %@", [exception name], [exception reason]);
}
@finally {
    [cup release];
}
```

Throwing Exceptions

To throw an exception you must instantiate an object with the appropriate information, such as the exception name and the reason it was thrown.

```
NSError *exception = [NSError exceptionWithName:@"HotTeaException"
                    reason:@"The tea is too hot" userInfo:nil];
@throw exception;
```

Inside a `@catch()` block, you can re-throw the caught exception using the `@throw` directive without an argument. This can help make your code more readable.

You can subclass `NSError` to implement specialized types of exceptions, such as file-system exceptions or communications exceptions.

Note: You are not limited to throwing `NSError` objects. You can throw any Objective-C object as an exception object. The `NSError` class provides methods that help in exception processing, but you can implement your own if you so desire.

Processing Exceptions

To catch an exception thrown in a `@try` block, use one or more `@catch()` blocks following the `@try` block. The `@catch()` blocks should be ordered from most-specific to the least-specific. That way you can tailor the processing of exceptions as groups, as shown in Listing 9-1.

Listing 9-1 An exception handler

```
@try {
    ...
}
@catch (CustomException *ce) { // 1
    ...
}
@catch (NSError *ne) { // 2
    // Perform processing necessary at this level.
    ...

    // Rethrow the exception so that it's handled at a higher level.
    @throw; // 3
}
@catch (id ue) {
    ...
}
@finally { // 4
    // Perform processing necessary whether an exception occurred or not.
    ...
}
```

The following list describes the numbered code-lines:

1. Catches the most specific exception type.
2. Catches a more general exception type.

3. Re-throws the exception caught.

To compartmentalize exception processing, you can nest exception handlers in a program. That way if a method or function catches an exception that it cannot process, it can rethrow it to the next exception handler.

4. Performs any clean-up processing that must always be performed, whether exceptions were thrown or not.

Threading

Objective-C provides support for thread synchronization and exception handling, which are explained in this article and [“Exception Handling”](#) (page 91). To turn on support for these features, use the `-fobjc-exceptions` switch of the GNU Compiler Collection (GCC) version 3.3 and later.

Note: Using either of these features in a program, renders the application runnable only in Mac OS X v10.3 and later because runtime support for exception handling and synchronization is not present in earlier versions of the software.

Synchronizing Thread Execution

Objective-C supports multithreading in applications. This means that two threads can try to modify the same object at the same time, a situation that can cause serious problems in a program. To protect sections of code from being executed by more than one thread at a time, Objective-C provides the `@synchronized()` directive.

The `@synchronized()` directive locks a section of code for use by a single thread. Other threads are blocked until the thread exits the protected code; that is, when execution continues past the last statement in the `@synchronized()` block.

The `@synchronized()` directive takes as its only argument any Objective-C object, including `self`. This object is known as a *mutual exclusion* semaphore or *mutex*. It allows a thread to lock a section of code to prevent its use by other threads. You should use separate semaphores to protect different critical sections of a program. It's safest to create all the mutual exclusion objects before the application becomes multithreaded to avoid race conditions.

Listing 10-1 shows an example of code that uses `self` as the mutex to synchronize access to the instance methods of the current object. You can take a similar approach to synchronize the class methods of the associated class, using the Class object instead of `self`. In the latter case, of course, only one thread at a time is allowed to execute a class method because there is only one class object that is shared by all callers.

Listing 10-1 Locking a method using `self`

```
- (void)criticalMethod
{
    @synchronized(self) {
        // Critical code.
    }
}
```

```

        ...
    }
}

```

Listing 10-2 uses the current selector, `_cmd`, as the mutex. This kind of synchronization is beneficial only when the method being synchronized has a unique name. This is because no other object or class would be allowed to execute a different method with the same name until the current method ends.

Listing 10-2 Locking a method using `_cmd`

```

- (void)criticalMethod
{
    @synchronized(NSStringFromSelector(_cmd)) {
        // Critical code.
        ...
    }
}

```

Listing 10-3 shows a general approach. Before executing a critical process, the code obtains a semaphore from the `Account` class and uses it to lock the critical section. The `Account` class could create the semaphore in its `initialize` method.

Listing 10-3 Locking a method using a custom semaphore

```

Account *account = [Account accountFromString:[accountField stringValue]];

// Get the semaphore.
id accountSemaphore = [Account semaphore];

@synchronized(accountSemaphore) {
    // Critical code.
    ...
}

```

The Objective-C synchronization feature supports recursive and reentrant code. A thread can use a single semaphore several times in a recursive manner; other threads are blocked from using it until the thread releases all the locks obtained with it; that is, every `@synchronized()` block is exited normally or through an exception.

When code in an `@synchronized()` block throws an exception, the Objective-C runtime catches the exception, releases the semaphore (so that the protected code can be executed by other threads), and re-throws the exception to the next exception handler.

Using C++ With Objective-C

Overview

Apple’s Objective-C compiler allows you to freely mix C++ and Objective-C code in the same source file. This Objective-C/C++ language hybrid is called Objective-C++. With it you can make use of existing C++ libraries from your Objective-C applications. Note that XCode requires that file names have a “.mm” extension for the Objective-C++ extensions to be enabled by the compiler.

Objective-C++ does not add C++ features to Objective-C classes, nor does it add Objective-C features to C++ classes. For example, you cannot use Objective-C syntax to call a C++ object, you cannot add constructors or destructors to an Objective-C object, and you cannot use the keywords `this` and `self` interchangeably. The class hierarchies are separate; a C++ class cannot inherit from an Objective-C class, and an Objective-C class cannot inherit from a C++ class. In addition, multi-language exception handling is not supported. That is, an exception thrown in Objective-C code cannot be caught in C++ code and, conversely, an exception thrown in C++ code cannot be caught in Objective-C code. For more information on exceptions in Objective-C, see [“Exception Handling”](#) (page 91).

The next section discusses what you *can* do with Objective-C++.

Mixing Objective-C and C++ Language Features

In Objective-C++, you can call methods from either language in C++ code and in Objective-C methods. Pointers to objects in either language are just pointers, and as such can be used anywhere. For example, you can include pointers to Objective-C objects as data members of C++ classes, and you can include pointers to C++ objects as instance variables of Objective-C classes. Listing 11-1 illustrates this.

Listing 11-1 Using C++ and Objective-C instances as instance variables

```
/* Hello.mm
 * Compile with: g++ -x objective-c++ -framework Foundation Hello.mm -o hello
 */

#import <Foundation/Foundation.h>
class Hello {
private:
    id _greeting_text; // holds an NSString
public:
```

CHAPTER 11

Using C++ With Objective-C

```
    Hello() {
        _greeting_text = @"Hello, world!";
    }
    Hello(const char* greeting_text) {
        _greeting_text = [NSString stringWithUTF8String:greeting_text];
    }
    void say_hello() {
        printf("%s\n", [_greeting_text UTF8String]);
    }
};

@interface Greeting : NSObject {
    @private
    Hello *_hello;
}
- (id)init;
- (void)dealloc;
- (void)sayGreeting;
- (void)sayGreeting:(Hello*)greeting;
@end

@implementation Greeting
- (id)init {
    if (self = [super init]) {
        _hello = new Hello();
    }
    return self;
}
- (void)dealloc {
    delete _hello;
    [super dealloc];
}
- (void)sayGreeting {
    _hello->say_hello();
}
- (void)sayGreeting:(Hello*)greeting {
    greeting->say_hello();
}
@end

int main() {
    NSAutoreleasePool *pool = [[NSAutoreleasePool alloc] init];

    Greeting *greeting = [[Greeting alloc] init];
    [greeting sayGreeting]; // > Hello, world!

    Hello *hello = new Hello("Bonjour, monde!");
    [greeting sayGreeting:hello]; // > Bonjour, monde!

    delete hello;
    [greeting release];
    [pool release];
    return 0;
}
```

As you can declare C structs in Objective-C interfaces, you can also declare C++ classes in Objective-C interfaces. As with C structs, C++ classes defined within an Objective-C interface are globally-scoped, not nested within the Objective-C class. (This is consistent with the way in which standard C—though not C++—promotes nested struct definitions to file scope.)

To allow you to conditionalize your code based on the language variant, the Objective-C++ compiler defines both the `__cplusplus` and the `__OBJC__` preprocessor constants, as specified by (respectively) the C++ and Objective-C language standards.

As previously noted, Objective-C++ does not allow you to inherit C++ classes from Objective-C objects, nor does it allow you to inherit Objective-C classes from C++ objects.

```
class Base { /* ... */ };
@interface ObjCClass: Base ... @end // ERROR!
class Derived: public ObjCClass ... // ERROR!
```

Unlike Objective-C, objects in C++ are statically typed, with runtime polymorphism available as an exceptional case. The object models of the two languages are thus not directly compatible. More fundamentally, the layout of Objective-C and C++ objects in memory is mutually incompatible, meaning that it is generally impossible to create an object instance that would be valid from the perspective of both languages. Hence, the two type hierarchies cannot be intermixed.

You can declare a C++ class within an Objective-C class declaration. The compiler treats such classes as having been declared in the global namespace, as follows:

```
@interface Foo {
    class Bar { ... } // OK
}
@end

Bar *barPtr; // OK
```

Objective-C allows C structures (whether declared inside of an Objective-C declaration or not) to be used as instance variables.

```
@interface Foo {
    struct CStruct { ... };
    struct CStruct bigIvar; // OK
} ... @end
```

Objective-C++ similarly strives to allow C++ class instances to serve as instance variables. This is possible as long as the C++ class in question (along with all of its superclasses) does not have any virtual member functions defined. If any virtual member functions are present, the C++ class may not serve as an Objective-C instance variable.

```
#import <Cocoa/Cocoa.h>

struct Class0 { void foo(); };
struct Class1 { virtual void foo(); };
struct Class2 { Class2(int i, int j); };

@interface Foo : NSObject {
    Class0 class0; // OK
    Class1 class1; // ERROR!
    Class1 *ptr; // OK—call 'ptr = new Class1()' from Foo's init,
                // 'delete ptr' from Foo's dealloc
    Class2 class2; // WARNING - constructor not called!
```

```
...
@end
```

C++ requires each instance of a class containing virtual functions to contain a suitable virtual function table pointer. However, the Objective-C runtime cannot initialize the virtual function table pointer, because it is not familiar with the C++ object model. Similarly, the Objective-C runtime cannot dispatch calls to C++ constructors or destructors for those objects. If a C++ class has any user-defined constructors or destructors, they are not called. The compiler emits a warning in such cases.

Objective-C does not have a notion of nested namespaces. You cannot declare Objective-C classes within C++ namespaces, nor can you declare namespaces within Objective-C classes.

Objective-C classes, protocols, and categories cannot be declared inside a C++ template, nor can a C++ template be declared inside the scope of an Objective-C interface, protocol, or category.

However, Objective-C classes may serve as C++ template parameters. C++ template parameters can also be used as receivers or parameters (though not as selectors) in Objective-C message expressions.

C++ Lexical Ambiguities and Conflicts

There are a few identifiers that are defined in the Objective-C header files that every Objective-C program must include. These identifiers are `id`, `Class`, `SEL`, `IMP`, and `BOOL`.

Inside an Objective-C method, the compiler predeclares the identifiers `self` and `super`, similarly to the keyword `this` in C++. However, unlike the C++ `this` keyword, `self` and `super` are context-sensitive; they may be used as ordinary identifiers outside of Objective-C methods.

In the parameter list of methods within a protocol, there are five more context-sensitive keywords (`oneway`, `in`, `out`, `inout`, and `bycopy`). These are not keywords in any other contexts.

From an Objective-C programmer's point of view, C++ adds quite a few new keywords. You can still use C++ keywords as a part of an Objective-C selector, so the impact isn't too severe, but you cannot use them for naming Objective-C classes or instance variables. For example, even though `class` is a C++ keyword, you can still use the `NSObject` method `class`:

```
[foo class]; // OK
```

However, because it is a keyword, you cannot use `class` as the name of a variable:

```
NSObject *class; // Error
```

In Objective-C, the names for classes and categories live in separate namespaces. That is, both `@interface foo` and `@interface(foo)` can exist in the same source code. In Objective-C++, you can also have a category whose name matches that of a C++ class or structure.

Protocol and template specifiers use the same syntax for different purposes:

```
id<someProtocolName> foo;
TemplateType<SomeTypeName> bar;
```

To avoid this ambiguity, the compiler doesn't permit `id` to be used as a template name.

Finally, there is a lexical ambiguity in C++ when a label is followed by an expression that mentions a global name, as in:

```
label: ::global_name = 3;
```

The space after the first colon is required. Objective-C++ adds a similar case, which also requires a space:

```
receiver selector: ::global_c++_name;
```


The Runtime System

The Objective-C language defers as many decisions as it can from compile time and link time to runtime. Whenever possible, it does things dynamically. This means that the language requires not just a compiler, but also a runtime system to execute the compiled code. The runtime system acts as a kind of operating system for the Objective-C language; it's what makes the language work.

The following sections look in particular at three areas where the `NSObject` class provides a framework and defines conventions:

- Allocating and initializing new instances of a class, and deallocating instances when they're no longer needed
- Forwarding messages to another object
- Dynamically loading new modules into a running program

Additional conventions of the `NSObject` class are described in the `NSObject` class specification in the Foundation framework reference.

Other sections look at how you interact with the runtime at an abstract level; how you can use the Distributed Objects system for sending messages between objects in different address spaces; and how the compiler encodes the return and argument types for each method.

Interacting with the Runtime System

Objective-C programs interact with the runtime system at three distinct levels:

1. Through Objective-C source code.

For the most part, the runtime system works automatically and behind the scenes. You use it just by writing and compiling Objective-C source code.

When you compile code containing Objective-C classes and methods, the compiler creates the data structures and function calls that implement the dynamic characteristics of the language. The data structures capture information found in class and category definitions and in protocol declarations; they include the class and protocol objects discussed in [“Defining a Class”](#) (page 31) and [“Protocols”](#) (page 61), as well as method selectors, instance variable templates, and other

information distilled from source code. The principal runtime function is the one that sends messages, as described in “How Messaging Works” (page 75). It’s invoked by source-code message expressions.

2. Through the methods defined in the `NSObject` class of the Foundation framework.

Most objects in Cocoa are subclasses of the `NSObject` class, so most objects inherit the methods it defines. (The notable exception is the `NSProxy` class; see “Forwarding” (page 112) for more information.)

Some of the `NSObject` methods simply query the runtime system for information. These methods allow objects to perform introspection. Examples of such methods are the `class` method, which asks an object to identify its class; `isKindOfClass:` and `isMemberOfClass:`, which test an object’s position in the inheritance hierarchy; `respondToSelector:`, which indicates whether an object can accept a particular message; `conformsToProtocol:`, which indicates whether an object claims to implement the methods defined in a specific protocol; and `methodForSelector:`, which provides the address of a method’s implementation. Methods like these give an object the ability to introspect about itself.

All these methods were mentioned in previous chapters and are described in detail in the `NSObject` class specification in the Foundation framework reference.

3. Through direct calls to runtime functions.

The runtime system is a dynamic shared library with a public interface consisting of a set of functions and data structures in the header files located within the directory `/usr/include/objc`. Many of these functions allow you to use plain C to replicate what the compiler does when you write Objective-C code. Others form the basis for functionality exported through the methods of the `NSObject` class. These functions make it possible to develop other interfaces to the runtime system and produce tools that augment the development environment; they’re not needed when programming in Objective-C. However, a few of the runtime functions might on occasion be useful when writing an Objective-C program. All of these functions are documented in *Objective-C 2.0 Runtime Reference*.

Because the `NSObject` class is at the root of the inheritance hierarchy of the Foundation framework, the methods it defines are usually inherited by all classes. Its methods therefore establish behaviors that are inherent to every instance and every class object. However, in a few cases, the `NSObject` class merely defines a template for how something should be done; it doesn’t provide all the necessary code itself.

For example, the `NSObject` class defines a `description` instance method that returns a string describing the contents of the class. This is primarily used for debugging—the GDB `print-object` command prints the string returned from this method. `NSObject`’s implementation of this method doesn’t know what the class contains, so it returns a string with the name and address of the object. Subclasses of `NSObject` can implement this method to return more details. For example, the Foundation class `NSArray` returns a list of descriptions of the objects it contains.

Allocating and Initializing Objects

It takes two steps to create an object using Objective-C. You must:

- Dynamically allocate memory for the new object
- Initialize the newly allocated memory to appropriate values

An object isn't fully functional until both steps have been completed. Each step is accomplished by a separate method but typically in a single line of code:

```
id anObject = [[Rectangle alloc] init];
```

Separating allocation from initialization gives you individual control over each step so that each can be modified independently of the other. The following sections look first at allocation and then at initialization, and discuss how they are controlled and modified.

In Objective-C, memory for new objects is allocated using class methods defined in the `NSObject` class. `NSObject` defines two principal methods for this purpose, `alloc` and `allocWithZone:`.

```
+ (id)alloc;
+ (id)allocWithZone:(NSZone *)zone;
```

These methods allocate enough memory to hold all the instance variables for an object belonging to the receiving class. They don't need to be overridden and modified in subclasses.

The `alloc` and `allocWithZone:` methods initialize a newly allocated object's `isa` instance variable so that it points to the object's class (the class object). All other instance variables are set to 0. Usually, an object needs to be more specifically initialized before it can be safely used.

This initialization is the responsibility of class-specific instance methods that, by convention, begin with the abbreviation "init". If the method takes no arguments, the method name is just those four letters, `init`. If it takes arguments, labels for the arguments follow the "init" prefix. For example, an `NSView` object can be initialized with an `initWithFrame:` method.

Every class that declares instance variables must provide an `init...` method to initialize them. The `NSObject` class declares the `isa` variable and defines an `init` method. However, since `isa` is initialized when memory for an object is allocated, all `NSObject`'s `init` method does is return `self`. `NSObject` declares the method mainly to establish the naming convention described earlier.

The Returned Object

An `init...` method normally initializes the instance variables of the receiver, then returns it. It's the responsibility of the method to return an object that can be used without error.

However, in some cases, this responsibility can mean returning a different object than the receiver. For example, if a class keeps a list of named objects, it might provide an `initWithName:` method to initialize new instances. If there can be no more than one object per name, `initWithName:` might refuse to assign the same name to two objects. When asked to assign a new instance a name that's already being used by another object, it might free the newly allocated instance and return the other object—thus ensuring the uniqueness of the name while at the same time providing what was asked for, an instance with the requested name.

In a few cases, it might be impossible for an `init...` method to do what it's asked to do. For example, an `initWithFile:` method might get the data it needs from a file passed as an argument. If the file name it's passed doesn't correspond to an actual file, it won't be able to complete the initialization. In such a case, the `init...` method could free the receiver and return `nil`, indicating that the requested object can't be created.

Because an `init...` method might return an object other than the newly allocated receiver, or even return `nil`, it's important that programs use the value returned by the initialization method, not just that returned by `alloc` or `allocWithZone:`. The following code is very dangerous, since it ignores the return of `init`.

```
id anObject = [SomeClass alloc];
[anObject init];
[anObject someOtherMessage];
```

Instead, to safely initialize an object, you should combine allocation and initialization messages in one line of code.

```
id anObject = [[SomeClass alloc] init];
[anObject someOtherMessage];
```

If there's a chance that the `init...` method might return `nil`, then you should check the return value before proceeding:

```
id anObject = [[SomeClass alloc] init];
if ( anObject )
    [anObject someOtherMessage];
else
    ...
```

Arguments

An `init...` method must ensure that all of an object's instance variables have reasonable values. This doesn't mean that it needs to provide an argument for each variable. It can set some to default values or depend on the fact that (except for `isa`) all bits of memory allocated for a new object are set to 0. For example, if a class requires its instances to have a name and a data source, it might provide an `initWithName:fromFile:` method, but set nonessential instance variables to arbitrary values or allow them to have the null values set by default. It could then rely on methods like `setEnabled:`, `setFriend:`, and `setDimensions:` to modify default values after the initialization phase had been completed.

Any `init...` method that takes arguments must be prepared to handle cases where an inappropriate value is passed.

Coordinating Classes

Every class that declares instance variables must provide an `init...` method to initialize them (unless the variables require no initialization). The `init...` methods the class defines initialize only those variables declared in the class. Inherited instance variables are initialized by sending a message to `super` to perform an initialization method defined somewhere farther up the inheritance hierarchy:

```
- initWithName:(char *)string
{
    if ( self = [super init] ) {
        name = (char *)NSZoneMalloc([self zone],
            strlen(string) + 1);
        strcpy(name, string);
    }
    return self;
```

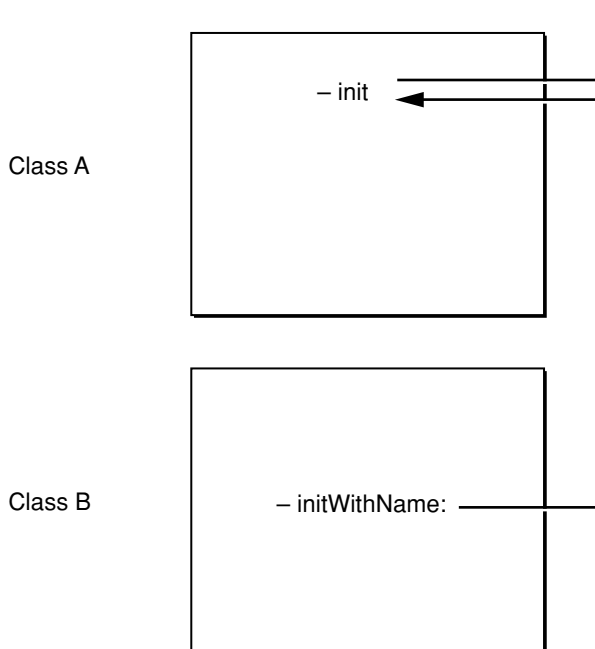
```
}

```

The message to `super` chains together initialization methods in all inherited classes. Because it comes first, it ensures that superclass variables are initialized before those declared in subclasses. For example, a `Rectangle` object must be initialized as an `NSObject`, a `Graphic`, and a `Shape` before it's initialized as a `Rectangle`.

The connection between the `initWithName:` method illustrated above and the inherited `init` method it incorporates is illustrated in Figure 12-1:

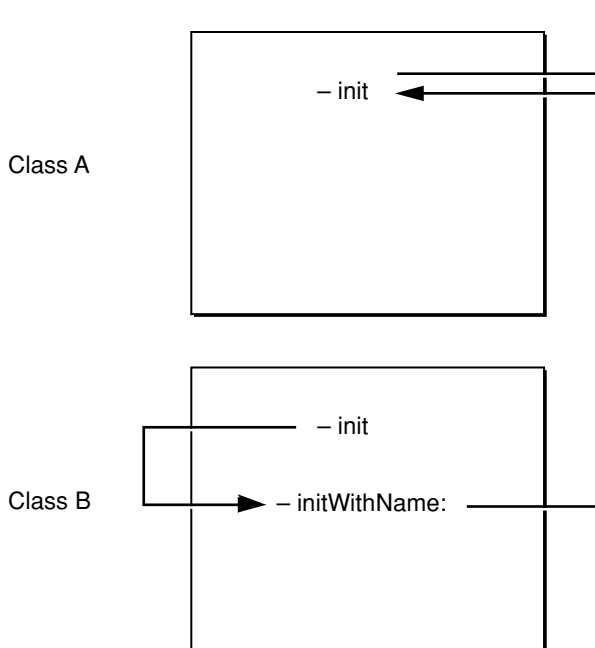
Figure 12-1 Incorporating an Inherited Initialization Method



A class must also make sure that all inherited initialization methods work. For example, if class A defines an `init` method and its subclass B defines an `initWithName:` method, as shown in Figure 12-1, B must also make sure that an `init` message successfully initializes B instances. The easiest way to do that is to replace the inherited `init` method with a version that invokes `initWithName::`

```
- init
{
    return [self initWithName:"default"];
}
```

The `initWithName:` method would, in turn, invoke the inherited method, as shown earlier. Figure 12-2 includes B's version of `init`:

Figure 12-2 Covering an Inherited Initialization Model

Covering inherited initialization methods makes the class you define more portable to other applications. If you leave an inherited method uncovered, someone else may use it to produce incorrectly initialized instances of your class.

The Designated Initializer

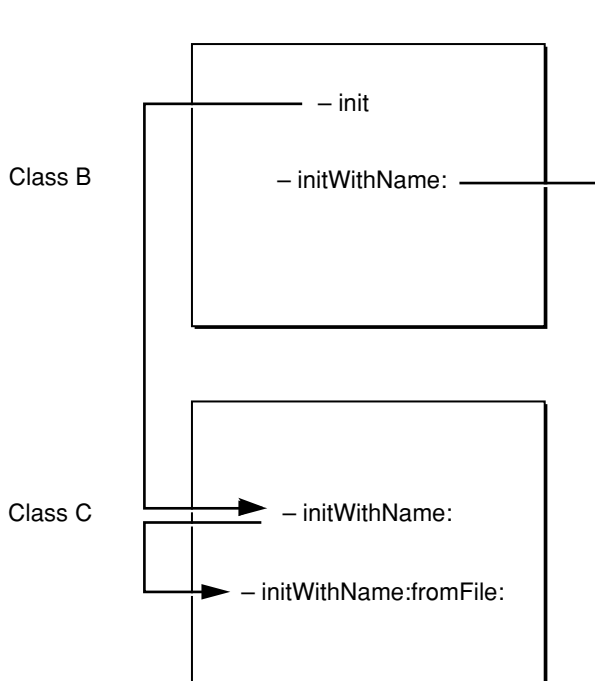
In the example above, `initWithName:` would be the **designated initializer** for its class (class B). The designated initializer is the method in each class that guarantees inherited instance variables are initialized (by sending a message to `super` to perform an inherited method). It's also the method that does most of the work, and the one that other initialization methods in the same class invoke. It's a Cocoa convention that the designated initializer is always the method that allows the most freedom to determine the character of a new instance (usually this is the one with the most arguments, but not always).

It's important to know the designated initializer when defining a subclass. For example, suppose we define class C, a subclass of B, and implement an `initWithName:fromFile:` method. In addition to this method, we have to make sure that the inherited `init` and `initWithName:` methods also work for instances of C. This can be done just by covering B's `initWithName:` with a version that invokes `initWithName:fromFile:`.

```

- initWithName:(char *)string
{
    return [self initWithName:string fromFile:NULL];
}
  
```

For an instance of the C class, the inherited `init` method invokes this new version of `initWithName:` which invokes `initWithName:fromFile:`. The relationship between these methods is shown in Figure 12-3:

Figure 12-3 Covering the Designated Initializer

This figure omits an important detail. The `initWithName:fromFile:` method, being the designated initializer for the C class, sends a message to `super` to invoke an inherited initialization method. But which of B's methods should it invoke, `init` or `initWithName:`? It can't invoke `init`, for two reasons:

- Circularity would result (`init` invokes C's `initWithName:`, which invokes `initWithName:fromFile:`, which invokes `init` again).
- It won't be able to take advantage of the initialization code in B's version of `initWithName:`.

Therefore, `initWithName:fromFile:` must invoke `initWithName::`

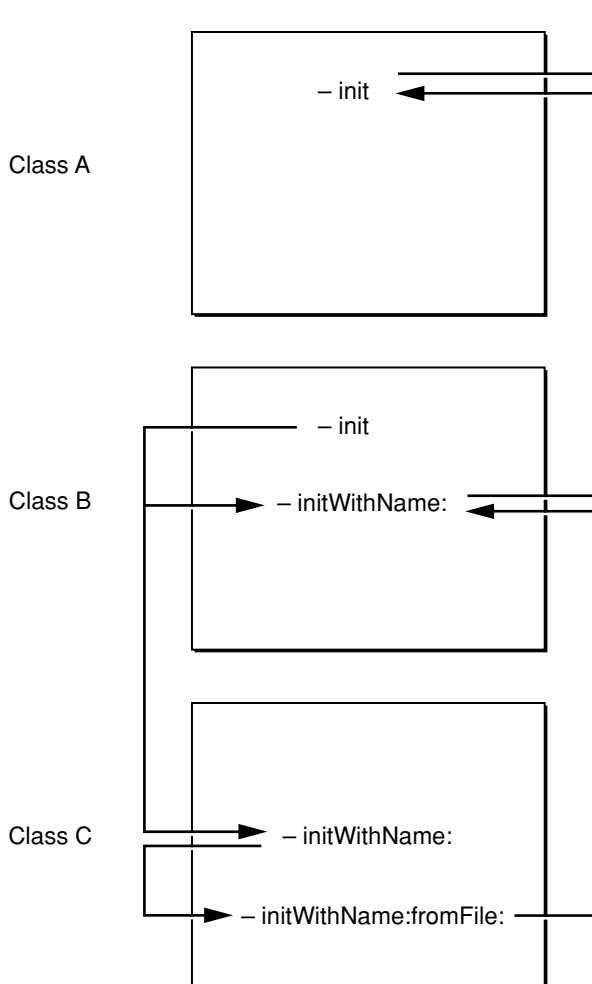
```
- initWithName:(char *)string fromFile:(char *)pathname
{
    if ( self = [super initWithName:string] )
        ...
}
```

General Principle: The designated initializer in a class must, through a message to `super`, invoke the designated initializer in a superclass.

Designated initializers are chained to each other through messages to `super`, while other initialization methods are chained to designated initializers through messages to `self`.

Figure 12-4 shows how all the initialization methods in classes A, B, and C are linked. Messages to `self` are shown on the left and messages to `super` are shown on the right.

Figure 12-4 Initialization Chain



Note that B's version of `init` sends a message to `self` to invoke the `initWithName:` method. Therefore, when the receiver is an instance of the B class, it invokes B's version of `initWithName:`, and when the receiver is an instance of the C class, it invokes C's version.

Combining Allocation and Initialization

In Cocoa, some classes define creation methods that combine the two steps of allocating and initializing to return new, initialized instances of the class. These methods are often referred to as **convenience constructors** and typically take the form `+ className...` where `className` is the name of the class. For example, `NSString` has the following methods (among others):

```
+ (NSString *)stringWithCString:(const char *)bytes;
+ (NSString *)stringWithFormat:(NSString *)format, ...;
```

Similarly, `NSArray` defines the following class methods that combine allocation and initialization:

```
+ (id)array;
+ (id)arrayWithObject:(id)anObject;
```

```
+ (id) arrayWithObjects:(id)firstObj, ...;
```

Important: It is important to understand the memory management implications of using these methods if you do not use garbage collection (see [“Memory Management”](#) (page 111)). You must read *Memory Management Programming Guide for Cocoa* to understand the policy that applies to these convenience constructors.

Methods that combine allocation and initialization are particularly valuable if the allocation must somehow be informed by the initialization. For example, if the data for the initialization is taken from a file, and the file might contain enough data to initialize more than one object, it would be impossible to know how many objects to allocate until the file is opened. In this case, you might implement a `listFromFile:` method that takes the name of the file as an argument. It would open the file, see how many objects to allocate, and create a `List` object large enough to hold all the new objects. It would then allocate and initialize the objects from data in the file, put them in the `List`, and finally return the `List`.

It also makes sense to combine allocation and initialization in a single method if you want to avoid the step of blindly allocating memory for a new object that you might not use. As mentioned in [“The Returned Object”](#) (page 105), an `initWithName:` method might sometimes substitute another object for the receiver. For example, when `initWithName:` is passed a name that’s already taken, it might free the receiver and in its place return the object that was previously assigned the name. This means, of course, that an object is allocated and freed immediately without ever being used.

If the code that determines whether the receiver should be initialized is placed inside the method that does the allocation instead of inside `initWithName:`, you can avoid the step of allocating a new instance when one isn’t needed.

In the following example, the `soloist` method ensures that there’s no more than one instance of the `Soloist` class. It allocates and initializes an instance only once:

```
+ soloist
{
    static Soloist *instance = nil;

    if ( instance == nil )
    {
        instance = [[self alloc] init];
    }
    return instance;
}
```

Memory Management

In an Objective-C program, it is important to ensure that objects are deallocated when they are no longer needed—otherwise your application’s memory footprint is larger than necessary. It is also important to ensure that you do not deallocate objects while they’re still being used.

Objective-C 2.0 offers two paradigms for memory management that allow you to meet these goals:

- **Managed memory**, where you are ultimately responsible for determining the lifetime of objects using a technique called **reference counting**.

Managed memory is described in *Memory Management Programming Guide for Cocoa*.

- **Garbage collection**, where you pass responsibility for determining the lifetime of objects to an automatic “collector.”

Garbage collection is described in *Garbage Collection Programming Guide*.

Forwarding

Sending a message to an object that does not handle that message is an error. However, before announcing the error, the runtime system gives the receiving object a second chance to handle the message. It sends the object a `forwardInvocation: message` with an `NSInvocation` object as its sole argument—the `NSInvocation` object encapsulates the original message and the arguments that were passed with it.

You can implement a `forwardInvocation: method` to give a default response to the message, or to avoid the error in some other way. As its name implies, `forwardInvocation: is commonly used to forward the message to another object.`

To see the scope and intent of forwarding, imagine the following scenarios: Suppose, first, that you’re designing an object that can respond to a message called `negotiate`, and you want its response to include the response of another kind of object. You could accomplish this easily by passing a `negotiate` message to the other object somewhere in the body of the `negotiate` method you implement.

Take this a step further, and suppose that you want your object’s response to a `negotiate` message to be exactly the response implemented in another class. One way to accomplish this would be to make your class inherit the method from the other class. However, it might not be possible to arrange things this way. There may be good reasons why your class and the class that implements `negotiate` are in different branches of the inheritance hierarchy.

Even if your class can’t inherit the `negotiate` method, you can still “borrow” it by implementing a version of the method that simply passes the message on to an instance of the other class:

```
- negotiate
{
    if ( [someOtherObject respondsToSelector:@selector(negotiate)] )
        return [someOtherObject negotiate];
    return self;
}
```

This way of doing things could get a little cumbersome, especially if there were a number of messages you wanted your object to pass on to the other object. You’d have to implement one method to cover each method you wanted to borrow from the other class. Moreover, it would be impossible to handle cases where you didn’t know, at the time you wrote the code, the full set of messages you might want to forward. That set might depend on events at runtime, and it might change as new methods and classes are implemented in the future.

The second chance offered by a `forwardInvocation: message` provides a less ad hoc solution to this problem, and one that’s dynamic rather than static. It works like this: When an object can’t respond to a message because it doesn’t have a method matching the selector in the message, the runtime system informs the object by sending it a `forwardInvocation: message`. Every object inherits a `forwardInvocation: method` from the `NSObject` class. However, `NSObject`’s version of the method

simply invokes `doesNotRecognizeSelector:`. By overriding `NSObject`'s version and implementing your own, you can take advantage of the opportunity that the `forwardInvocation:` message provides to forward messages to other objects.

To forward a message, all a `forwardInvocation:` method needs to do is:

- Determine where the message should go, and
- Send it there with its original arguments.

The message can be sent with the `invokeWithTarget:` method:

```
- (void)forwardInvocation:(NSInvocation *)anInvocation
{
    if ([someOtherObject respondsToSelector:
        [anInvocation selector]])
        [anInvocation invokeWithTarget:someOtherObject];
    else
        [super forwardInvocation:anInvocation];
}
```

The return value of the message that's forwarded is returned to the original sender. All types of return values can be delivered to the sender, including `ids`, structures, and double-precision floating-point numbers.

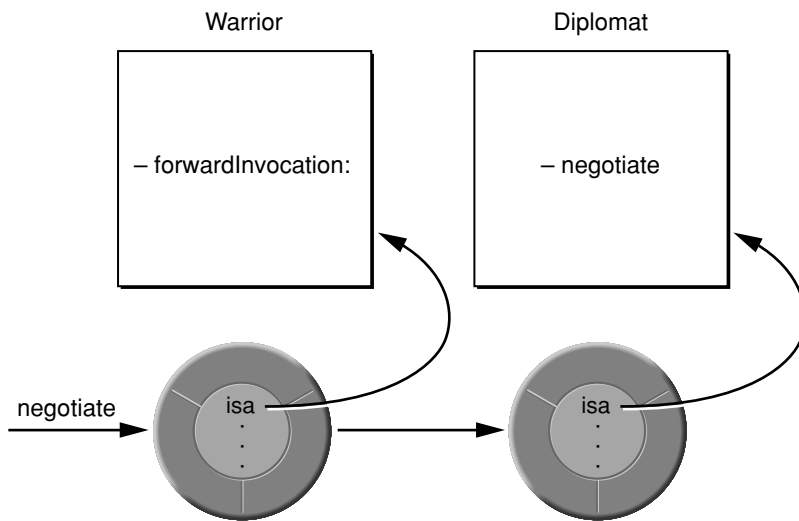
A `forwardInvocation:` method can act as a distribution center for unrecognized messages, parceling them out to different receivers. Or it can be a transfer station, sending all messages to the same destination. It can translate one message into another, or simply "swallow" some messages so there's no response and no error. A `forwardInvocation:` method can also consolidate several messages into a single response. What `forwardInvocation:` does is up to the implementor. However, the opportunity it provides for linking objects in a forwarding chain opens up possibilities for program design.

Note: The `forwardInvocation:` method gets to handle messages only if they don't invoke an existing method in the nominal receiver. If, for example, you want your object to forward `negotiate` messages to another object, it can't have a `negotiate` method of its own. If it does, the message will never reach `forwardInvocation:`.

For more information on forwarding and invocations, see the `NSInvocation` class specification in the Foundation framework reference.

Forwarding and Multiple Inheritance

Forwarding mimics inheritance, and can be used to lend some of the effects of multiple inheritance to Objective-C programs. As shown in [Figure 12-5](#) (page 114), an object that responds to a message by forwarding it appears to borrow or "inherit" a method implementation defined in another class.

Figure 12-5 Forwarding

In this illustration, an instance of the Warrior class forwards a `negotiate` message to an instance of the Diplomat class. The Warrior will appear to negotiate like a Diplomat. It will seem to respond to the `negotiate` message, and for all practical purposes it does respond (although it's really a Diplomat that's doing the work).

The object that forwards a message thus “inherits” methods from two branches of the inheritance hierarchy—its own branch and that of the object that responds to the message. In the example above, it appears as if the Warrior class inherits from Diplomat as well as its own superclass.

Forwarding addresses most needs that lead programmers to value multiple inheritance. However, there's an important difference between the two: Multiple inheritance combines different capabilities in a single object. It tends toward large, multifaceted objects. Forwarding, on the other hand, assigns separate responsibilities to disparate objects. It decomposes problems into smaller objects, but associates those objects in a way that's transparent to the message sender.

Surrogate Objects

Forwarding not only mimics multiple inheritance, it also makes it possible to develop lightweight objects that represent or “cover” more substantial objects. The surrogate stands in for the other object and funnels messages to it.

The proxy discussed in “[Remote Messaging](#)” (page 117) is such a surrogate. A proxy takes care of the administrative details of forwarding messages to a remote receiver, making sure argument values are copied and retrieved across the connection, and so on. But it doesn't attempt to do much else; it doesn't duplicate the functionality of the remote object but simply gives the remote object a local address, a place where it can receive messages in another application.

Other kinds of surrogate objects are also possible. Suppose, for example, that you have an object that manipulates a lot of data—perhaps it creates a complicated image or reads the contents of a file on disk. Setting this object up could be time-consuming, so you prefer to do it lazily—when it's really needed or when system resources are temporarily idle. At the same time, you need at least a placeholder for this object in order for the other objects in the application to function properly.

In this circumstance, you could initially create, not the full-fledged object, but a lightweight surrogate for it. This object could do some things on its own, such as answer questions about the data, but mostly it would just hold a place for the larger object and, when the time came, forward messages to it. When the surrogate's `forwardInvocation:` method first receives a message destined for the other object, it would ensure that the object existed and would create it if it didn't. All messages for the larger object go through the surrogate, so, as far as the rest of the program is concerned, the surrogate and the larger object would be the same.

Forwarding and Inheritance

Although forwarding mimics inheritance, the `NSObject` class never confuses the two. Methods like `respondsToSelector:` and `isKindOfClass:` look only at the inheritance hierarchy, never at the forwarding chain. If, for example, a `Warrior` object is asked whether it responds to a `negotiate` message,

```
if ( [aWarrior respondsToSelector:@selector(negotiate)] )
    ...
```

the answer is `NO`, even though it can receive `negotiate` messages without error and respond to them, in a sense, by forwarding them to a `Diplomat`. (See [Figure 12-5](#) (page 114).)

In many cases, `NO` is the right answer. But it may not be. If you use forwarding to set up a surrogate object or to extend the capabilities of a class, the forwarding mechanism should probably be as transparent as inheritance. If you want your objects to act as if they truly inherited the behavior of the objects they forward messages to, you'll need to re-implement the `respondsToSelector:` and `isKindOfClass:` methods to include your forwarding algorithm:

```
- (BOOL)respondsToSelector:(SEL)aSelector
{
    if ( [super respondsToSelector:aSelector] )
        return YES;
    else {
        /* Here, test whether the aSelector message can      *
         * be forwarded to another object and whether that    *
         * object can respond to it. Return YES if it can.  */
    }
    return NO;
}
```

In addition to `respondsToSelector:` and `isKindOfClass:`, the `instancesRespondToSelector:` method should also mirror the forwarding algorithm. If protocols are used, the `conformsToProtocol:` method should likewise be added to the list. Similarly, if an object forwards any remote messages it receives, it should have a version of `methodSignatureForSelector:` that can return accurate descriptions of the methods that ultimately respond to the forwarded messages.

You might consider putting the forwarding algorithm somewhere in private code and have all these methods, `forwardInvocation:` included, call it.

Note: This is an advanced technique, suitable only for situations where no other solution is possible. It is not intended as a replacement for inheritance. If you must make use of this technique, make sure you fully understand the behavior of the class doing the forwarding and the class you're forwarding to.

The methods mentioned in this section are described in the `NSObject` class specification in the Foundation framework reference. For information on `invokeWithTarget:`, see the `NSInvocation` class specification in the Foundation framework reference.

Dynamic Method Resolution

There are situations where you might want to provide an implementation of a method dynamically. For example, the Objective-C declared properties feature (see “[Properties](#)” (page 45)) includes the `@dynamic` directive:

```
@dynamic propertyName;
```

which tells the compiler that the methods associated with the property will be provided dynamically.

You can implement the methods `resolveInstanceMethod:` and `resolveClassMethod:` to dynamically provide an implementation for a given selector for an instance and class method respectively.

An Objective-C method is simply a C function that take at least two arguments—`self` and `_cmd`. You can add a function to a class as a method using the function `class_addMethod`. Therefore, given the following function:

```
void dynamicMethodIMP(id self, SEL _cmd) {
    // implementation ...
}
```

you can dynamically add it to a class as a method (called `resolveThisMethodDynamically`) using `resolveInstanceMethod:` like this:

```
@implementation MyClass
+ (BOOL)resolveInstanceMethod:(SEL)aSEL
{
    if (aSEL == @selector(resolveThisMethodDynamically)) {
        class_addMethod([self class], aSEL, (IMP) dynamicMethodIMP, "v@:");
        return YES;
    }
    return [super resolveInstanceMethod:aSEL];
}
@end
```

Forwarding methods (as described in “[Forwarding](#)” (page 112)) and dynamic method resolution are, largely, orthogonal. A class has the opportunity to dynamically resolve a method before the forwarding mechanism kicks in. If `respondToSelector:` or `instancesRespondToSelector:` is invoked, the dynamic method resolver is given the opportunity to provide an IMP for the selector first. If you implement `resolveInstanceMethod:` but want particular selectors to actually be forwarded via the forwarding mechanism, you return `NO` for those selectors.

Dynamic Loading

An Objective-C program can load and link new classes and categories while it's running. The new code is incorporated into the program and treated identically to classes and categories loaded at the start.

Dynamic loading can be used to do a lot of different things. For example, the various modules in the System Preferences application are dynamically loaded.

In the Cocoa environment, dynamic loading is commonly used to allow applications to be customized. Others can write modules that your program loads at runtime—much as Interface Builder loads custom palettes and the Mac OS X System Preferences application loads custom preference modules. The loadable modules extend what your application can do. They contribute to it in ways that you permit but could not have anticipated or defined yourself. You provide the framework, but others provide the code.

Although there is a runtime function that performs dynamic loading of Objective-C modules in Mach-O files (`objc_loadModules`, defined in `objc/objc-load.h`), Cocoa's `NSBundle` class provides a significantly more convenient interface for dynamic loading—one that's object-oriented and integrated with related services. See the `NSBundle` class specification in the Foundation framework reference for information on the `NSBundle` class and its use. See *Mac OS X ABI Mach-O File Format Reference* for information on Mach-O files.

Remote Messaging

Like most other programming languages, Objective-C was initially designed for programs that are executed as a single process in a single address space.

Nevertheless, the object-oriented model, where communication takes place between relatively self-contained units through messages that are resolved at runtime, would seem well suited for interprocess communication as well. It's not hard to imagine Objective-C messages between objects that reside in different address spaces (that is, in different tasks) or in different threads of execution of the same task.

For example, in a typical server-client interaction, the client task might send its requests to a designated object in the server, and the server might target specific client objects for the notifications and other information it sends.

Or imagine an interactive application that needs to do a good deal of computation to carry out a user command. It could simply display a dialog telling the user to wait while it was busy, or it could isolate the processing work in a subordinate task, leaving the main part of the application free to accept user input. Objects in the two tasks would communicate through Objective-C messages.

Similarly, several separate processes could cooperate on the editing of a single document. There could be a different editing tool for each type of data in the document. One task might be in charge of presenting a unified onscreen user interface and of sorting out which user instructions are the responsibility of the various editing tools. Each cooperating task could be written in Objective-C, with Objective-C messages being the vehicle of communication between the user interface and the tools and between one tool and another.

Distributed Objects

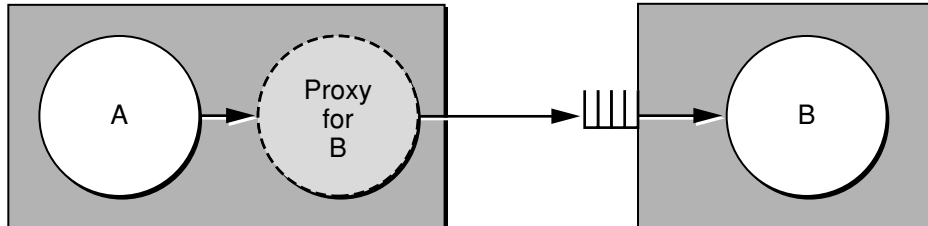
Remote messaging in Objective-C requires a runtime system that can establish connections between objects in different address spaces, recognize when a message is intended for an object in a remote address space, and transfer data from one address space to another. It must also mediate between the separate schedules of the two tasks; it has to hold messages until their remote receivers are free to respond to them.

Cocoa includes a **distributed objects** architecture that is essentially this kind of extension to the runtime system. Using distributed objects, you can send Objective-C messages to objects in other tasks or have messages executed in other threads of the same task. (When remote messages are sent between two threads of the same task, the threads are treated exactly like threads in different tasks.) Note that Cocoa’s distributed objects system is built on top of the runtime system; it doesn’t alter the fundamental behavior of your Cocoa objects.

To send a remote message, an application must first establish a connection with the remote receiver. Establishing the connection gives the application a proxy for the remote object in its own address space. It then communicates with the remote object through the proxy. The proxy assumes the identity of the remote object; it has no identity of its own. The application is able to regard the proxy as if it were the remote object; for most purposes, it is the remote object.

Remote messaging is illustrated in [Figure 12-6](#) (page 118), where object A communicates with object B through a proxy, and messages for B wait in a queue until B is ready to respond to them:

Figure 12-6 Remote Messages



The sender and receiver are in different tasks and are scheduled independently of each other. So there’s no guarantee that the receiver is free to accept a message when the sender is ready to send it. Therefore, arriving messages are placed in a queue and retrieved at the convenience of the receiving application.

A proxy doesn’t act on behalf of the remote object or need access to its class. It isn’t a copy of the object, but a lightweight substitute for it. In a sense, it’s transparent; it simply passes the messages it receives on to the remote receiver and manages the interprocess communication. Its main function is to provide a local address for an object that wouldn’t otherwise have one. A proxy isn’t fully transparent, however. For instance, a proxy doesn’t allow you to directly set and get an object’s instance variables.

A remote receiver is typically anonymous. Its class is hidden inside the remote application. The sending application doesn’t need to know how that application is designed or what classes it uses. It doesn’t need to use the same classes itself. All it needs to know is what messages the remote object responds to.

Because of this, an object that's designated to receive remote messages advertises its interface in a formal protocol. Both the sending and the receiving application declare the protocol—they both import the same protocol declaration. The receiving application declares it because the remote object must conform to the protocol. The sending application declares it to inform the compiler about the messages it sends and because it may use the `conformsToProtocol:` method and the `@protocol()` directive to test the remote receiver. The sending application doesn't have to implement any of the methods in the protocol; it declares the protocol only because it initiates messages to the remote receiver.

The distributed objects architecture, including the `NSProxy` and `NSConnection` classes, is documented in the Foundation framework reference and *Distributed Objects Programming Topics*.

Language Support

Remote messaging raises not only a number of intriguing possibilities for program design, it also raises some interesting issues for the Objective-C language. Most of the issues are related to the efficiency of remote messaging and the degree of separation that the two tasks should maintain while they're communicating with each other.

So that programmers can give explicit instructions about the intent of a remote message, Objective-C defines six type qualifiers that can be used when declaring methods inside a formal protocol:

```
oneway
in
out
inout
bycopy
byref
```

These modifiers are restricted to formal protocols; they can't be used inside class and category declarations. However, if a class or category adopts a protocol, its implementation of the protocol methods can use the same modifiers that are used to declare the methods.

The following sections explain how these modifiers are used.

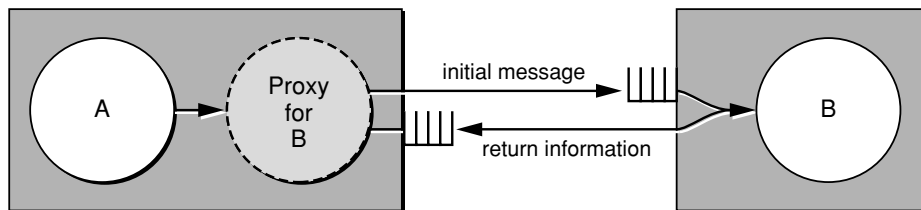
Synchronous and Asynchronous Messages

Consider first a method with just a simple return value:

```
- (BOOL)canDance;
```

When a `canDance` message is sent to a receiver in the same application, the method is invoked and the return value provided directly to the sender. But when the receiver is in a remote application, two underlying messages are required—one message to get the remote object to invoke the method, and the other message to send back the result of the remote calculation. This is illustrated in the figure below:

Figure 12-7 Round-Trip Message



Most remote messages are, at bottom, two-way (or “round trip”) remote procedure calls (RPCs) like this one. The sending application waits for the receiving application to invoke the method, complete its processing, and send back an indication that it has finished, along with any return information requested. Waiting for the receiver to finish, even if no information is returned, has the advantage of coordinating the two communicating applications, of keeping them both “in sync.” For this reason, round-trip messages are often called **synchronous**. Synchronous messages are the default.

However, it’s not always necessary or a good idea to wait for a reply. Sometimes it’s sufficient simply to dispatch the remote message and return, allowing the receiver to get to the task when it can. In the meantime, the sender can go on to other things. Objective-C provides a return type modifier, *oneway*, to indicate that a method is used only for **asynchronous** messages:

```
- (oneway void)waltzAtWill;
```

Although *oneway* is a type qualifier (like *const*) and can be used in combination with a specific type name, such as *oneway float* or *oneway id*, the only such combination that makes any sense is *oneway void*. An asynchronous message can’t have a valid return value.

Pointer Arguments

Next, consider methods that take pointer arguments. A pointer can be used to pass information to the receiver by reference. When invoked, the method looks at what’s stored in the address it’s passed.

```
- setTune:(struct tune *)aSong
{
    tune = *aSong;
    ...
}
```

The same sort of argument can also be used to return information by reference. The method uses the pointer to find where it should place information requested in the message.

```
- getTune:(struct tune *)theSong
{
    ...
    *theSong = tune;
}
```

The way the pointer is used makes a difference in how the remote message is carried out. In neither case can the pointer simply be passed to the remote object unchanged; it points to a memory location in the sender’s address space and would not be meaningful in the address space of the remote receiver. The runtime system for remote messaging must make some adjustments behind the scenes.

If the argument is used to pass information by reference, the runtime system must dereference the pointer, ship the value it points to over to the remote application, store the value in an address local to that application, and pass that address to the remote receiver.

If, on the other hand, the pointer is used to return information by reference, the value it points to doesn't have to be sent to the other application. Instead, a value from the other application must be sent back and written into the location indicated by the pointer.

In the first case, information is passed on the first leg of the round trip. In the second case, information is returned on the second leg of the round trip. Because these cases result in very different actions on the part of the runtime system for remote messaging, Objective-C provides type modifiers that can clarify the programmer's intention:

- The type modifier `in` indicates that information is being passed in a message:


```
- setTune:(in struct tune *)aSong;
```
- The modifier `out` indicates that an argument is being used to return information by reference:


```
- getTune:(out struct tune *)theSong;
```
- A third modifier, `inout`, indicates that an argument is used both to provide information and to get information back:


```
- adjustTune:(inout struct tune *)aSong;
```

The Cocoa distributed objects system takes `inout` to be the default modifier for all pointer arguments except those declared `const`, for which `in` is the default. `inout` is the safest assumption but also the most time-consuming since it requires passing information in both directions. The only modifier that makes sense for arguments passed by value (non-pointers) is `in`. While `in` can be used with any kind of argument, `out` and `inout` make sense only for pointers.

In C, pointers are sometimes used to represent composite values. For example, a string is represented as a character pointer (`char *`). Although in notation and implementation there's a level of indirection here, in concept there's not. Conceptually, a string is an entity in and of itself, not a pointer to something else.

In cases like this, the distributed objects system automatically dereferences the pointer and passes whatever it points to as if by value. Therefore, the `out` and `inout` modifiers make no sense with simple character pointers. It takes an additional level of indirection in a remote message to pass or return a string by reference:

```
- getTuneTitle:(out char **)theTitle;
```

The same is true of objects:

```
- adjustRectangle:(inout Rectangle **)theRect;
```

These conventions are enforced at runtime, not by the compiler.

Proxies and Copies

Finally, consider a method that takes an object as an argument:

```
- danceWith:(id)aPartner;
```

The Runtime System

A `danceWith:` message passes an object `id` to the receiver. If the sender and the receiver are in the same application, they would both be able to refer to the same *aPartner* object.

This is true even if the receiver is in a remote application, except that the receiver needs to refer to the object through a proxy (since the object isn't in its address space). The pointer that `danceWith:` delivers to a remote receiver is actually a pointer to the proxy. Messages sent to the proxy would be passed across the connection to the real object and any return information would be passed back to the remote application.

There are times when proxies may be unnecessarily inefficient, when it's better to send a copy of the object to the remote process so that it can interact with it directly in its own address space. To give programmers a way to indicate that this is intended, Objective-C provides a `bycopy` type modifier:

```
- danceWith:(bycopy id)aClone;
```

`bycopy` can also be used for return values:

```
- (bycopy)dancer;
```

It can similarly be used with `out` to indicate that an object returned by reference should be copied rather than delivered in the form of a proxy:

```
- getDancer:(bycopy out id *)theDancer;
```

Note: When a copy of an object is passed to another application, it cannot be anonymous. The application that receives the object must have the class of the object loaded in its address space.

`bycopy` makes so much sense for certain classes—classes that are intended to contain a collection of other objects, for instance—that often these classes are written so that a copy is sent to a remote receiver, instead of the usual reference. You can override this behavior with `byref`, however, thereby specifying that objects passed to a method or objects returned from a method should be passed or returned by reference. Since passing by reference is the default behavior for the vast majority of Objective-C objects, you will rarely, if ever, make use of the `byref` keyword.

The only type that it makes sense for `bycopy` or `byref` to modify is an object, whether dynamically typed `id` or statically typed by a class name.

Although `bycopy` and `byref` can't be used inside class and category declarations, they can be used within formal protocols. For instance, you could write a formal protocol `foo` as follows:

```
@Protocol foo
- (bycopy)array;
@end
```

A class or category can then adopt your protocol `foo`. This allows you to construct protocols so that they provide “hints” as to how objects should be passed and returned by the methods described by the protocol.

Type Encodings

To assist the runtime system, the compiler encodes the return and argument types for each method in a character string and associates the string with the method selector. The coding scheme it uses is also useful in other contexts and so is made publicly available with the `@encode()` compiler directive. When given a type specification, `@encode()` returns a string encoding that type. The type can be a basic type such as an `int`, a pointer, a tagged structure or union, or a class name—any type, in fact, that can be used as an argument to the `C sizeof()` operator.

```
char *buf1 = @encode(int **);
char *buf2 = @encode(struct key);
char *buf3 = @encode(Rectangle);
```

The table below lists the type codes. Note that many of them overlap with the codes you use when encoding an object for purposes of archiving or distribution. However, there are codes listed here that you can't use when writing a coder, and there are codes that you may want to use when writing a coder that aren't generated by `@encode()`. (See the `NSCoder` class specification in the Foundation Framework reference for more information on encoding objects for archiving or distribution.)

Table 12-1 Objective-C type encodings

Code	Meaning
c	A char
i	An int
s	A short
l	A long
q	A long long
C	An unsigned char
I	An unsigned int
S	An unsigned short
L	An unsigned long
Q	An unsigned long long
f	A float
d	A double
B	A C++ bool or a C99 _Bool
v	A void
*	A character string (char *)
@	An object (whether statically typed or typed id)

Code	Meaning
#	A class object (Class)
:	A method selector (SEL)
[array type]	An array
{name=type...}	A structure
(name=type...)	A union
bnum	A bit field of <i>num</i> bits
^type	A pointer to <i>type</i>
?	An unknown type (among other things, this code is used for function pointers)

The type code for an array is enclosed within square brackets; the number of elements in the array is specified immediately after the open bracket, before the array type. For example, an array of 12 pointers to floats would be encoded as:

```
[12^f]
```

Structures are specified within braces, and unions within parentheses. The structure tag is listed first, followed by an equal sign and the codes for the fields of the structure listed in sequence. For example, the structure

```
typedef struct example {
    id   anObject;
    char *aString;
    int  anInt;
} Example;
```

would be encoded like this:

```
{example=@*i}
```

The same encoding results whether the defined type name (Example) or the structure tag (example) is passed to @encode(). The encoding for a structure pointer carries the same amount of information about the structure's fields:

```
^{example=@*i}
```

However, another level of indirection removes the internal type specification:

```
^^{example}
```

Objects are treated like structures. For example, passing the NSObject class name to @encode() yields this encoding:

```
{NSObject=#}
```

The NSObject class declares just one instance variable, isa, of type Class.

Note that although the `@encode()` directive doesn't return them, the runtime system uses the additional encodings listed in Table 12-2 for type qualifiers when they're used to declare methods in a protocol.

Table 12-2 Objective-C method encodings

Code	Meaning
r	const
n	in
N	inout
o	out
O	bycopy
R	byref
V	oneway

Language Summary

Objective-C adds a small number of constructs to the C language and defines a handful of conventions for effectively interacting with the runtime system. This appendix lists all the additions to the language but doesn't go into great detail. For more information, see the other chapters in this document. For a more formal presentation of Objective-C syntax, see [“Grammar”](#) (page 135).

Messages

Message expressions are enclosed in square brackets:

```
[receiver message]
```

The receiver can be:

- A variable or expression that evaluates to an object (including the variable `self`)
- A class name (indicating the class object)
- `super` (indicating an alternative search for the method implementation)

The **message** is the name of a method plus any arguments passed to it.

Defined Types

The principal types used in Objective-C are defined in `objc/objc.h`. They are:

Type	Definition
<code>id</code>	An object (a pointer to its data structure).
<code>Class</code>	A class object (a pointer to the class data structure).
<code>SEL</code>	A selector, a compiler-assigned code that identifies a method name.
<code>IMP</code>	A pointer to a method implementation that returns an <code>id</code> .

Type	Definition
BOOL	A Boolean value, either YES or NO.

`id` can be used to type any kind of object, class, or instance. In addition, class names can be used as type names to statically type instances of a class. A statically typed instance is declared to be a pointer to its class or to any class it inherits from.

The `objc.h` header file also defines these useful terms:

Type	Definition
<code>nil</code>	A null object pointer, <code>(id)0</code> .
<code>Nil</code>	A null class pointer, <code>(Class)0</code> .
<code>NO</code>	A boolean false value, <code>(BOOL)0</code> .
<code>YES</code>	A boolean true value, <code>(BOOL)1</code> .

Preprocessor Directives

The preprocessor understands these special notations:

Notation	Definition
<code>#import</code>	Imports a header file. This directive is identical to <code>#include</code> , except that it doesn't include the same file more than once.
<code>//</code>	Begins a comment that continues to the end of the line.

Compiler Directives

Directives to the compiler begin with “@”. The following directives are used to declare and define classes, categories, and protocols:

Directive	Definition
<code>@interface</code>	Begins the declaration of a class or category interface.
<code>@implementation</code>	Begins the definition of a class or category.
<code>@protocol</code>	Begins the declaration of a formal protocol.
<code>@end</code>	Ends the declaration/definition of a class, category, or protocol.

The following mutually exclusive directives specify the visibility of instance variables:

Directive	Definition
@private	Limits the scope of an instance variable to the class that declares it.
@protected	Limits instance variable scope to declaring and inheriting classes.
@public	Removes restrictions on the scope of instance variables.

The default is @protected.

These directives support exception handling:

Directive	Definition
@try	Defines a block within which exceptions can be thrown.
@throw	Throws an exception object.
@catch()	Catches an exception thrown within the preceding @try block.
@finally	Defines a block of code that is executed whether exceptions were thrown or not in a preceding @try block.

In addition, there are directives for these particular purposes:

Directive	Definition
@class	Declares the names of classes defined elsewhere.
@selector(method_name)	Returns the compiled selector that identifies <i>method_name</i> .
@protocol(protocol_name)	Returns the <i>protocol_name</i> protocol (an instance of the Protocol class). (@protocol is also valid without (<i>protocol_name</i>) for forward declarations.)
@encode(type_spec)	Yields a character string that encodes the type structure of <i>type_spec</i> .
@"string"	Defines a constant NSString object in the current module and initializes the object with the specified 7-bit ASCII-encoded string.
@"string1" @"string2" ... @"stringN"	Defines a constant NSString object in the current module. The string created is the result of concatenating the strings specified in the two directives.
@synchronized()	Defines a block of code that must be executed only by one thread at a time.

Classes

A new class is declared with the `@interface` directive. The interface file for its superclass must be imported:

```
#import "ItsSuperclass.h"

@interface ClassName : ItsSuperclass < protocol_list >
{
    instance variable declarations
}
method declarations
@end
```

Everything but the compiler directives and class name is optional. If the colon and superclass name are omitted, the class is declared to be a new root class. If any protocols are listed, the header files where they're declared must also be imported.

A file containing a class definition imports its own interface:

```
#import "ClassName.h"

@implementation ClassName
method definitions
@end
```

Categories

A category is declared in much the same way as a class. The interface file that declares the class must be imported:

```
#import "ClassName.h"

@interface ClassName ( CategoryName ) < protocol list >
method declarations
@end
```

The protocol list and method declarations are optional. If any protocols are listed, the header files where they're declared must also be imported.

Like a class definition, a file containing a category definition imports its own interface:

```
#import "CategoryName.h"

@implementation ClassName ( CategoryName )
method definitions
@end
```

Deprecation Syntax

Syntax is provided to mark methods as deprecated:

```
@interface SomeClass
-method __attribute__((deprecated));
@end
```

or:

```
#include <AvailabilityMacros.h>
@interface SomeClass
-method DEPRECATED_ATTRIBUTE; // or some other deployment-target-specific macro
@end
```

This syntax is available only in Objective-C 2.0 and later.

Formal Protocols

Formal protocols are declared using the `@protocol` directive:

```
@protocol ProtocolName < protocol list >
method declarations
@end
```

The list of incorporated protocols and the method declarations are optional. The protocol must import the header files that declare any protocols it incorporates.

You can create a forward reference to a protocol using the `@protocol` directive in the following manner:

```
@protocol ProtocolName;
```

Within source code, protocols are referred to using the similar `@protocol()` directive, where the parentheses enclose the protocol name.

Protocol names listed within angle brackets (`<...>`) are used to do three different things:

- In a protocol declaration, to incorporate other protocols (as shown earlier)
- In a class or category declaration, to adopt the protocol (as shown in [“Classes”](#) (page 130) and [“Categories”](#) (page 130))
- In a type specification, to limit the type to objects that conform to the protocol

Within protocol declarations, these type qualifiers support remote messaging:

Type Qualifier	Definition
oneway	The method is for asynchronous messages and has no valid return type.
in	The argument passes information to the remote receiver.

Type Qualifier	Definition
out	The argument gets information returned by reference.
inout	The argument both passes information and gets information.
bycopy	A copy of the object, not a proxy, should be passed or returned.
byref	A reference to the object, not a copy, should be passed or returned.

Method Declarations

The following conventions are used in method declarations:

- A “+” precedes declarations of class methods.
- A “-” precedes declarations of instance methods.
- Argument and return types are declared using the C syntax for type casting.
- Arguments are declared after colons (:), for example:

```
- (void)setWidth:(int)newWidth height:(int)newHeight
```

Typically, a label describing the argument precedes the colon—the following example is valid but is considered bad style:

```
- (void)setWidthAndHeight:(int)newWidth :(int)newHeight
```

Both labels and colons are considered part of the method name.

- The default return and argument type for methods is `id`, not `int` as it is for functions. (However, the modifier `unsigned` when used without a following type always means `unsigned int`.)

Method Implementations

Each method implementation is passed two hidden arguments:

- The receiving object (`self`).
- The selector for the method (`_cmd`).

Within the implementation, both `self` and `super` refer to the receiving object. `super` replaces `self` as the receiver of a message to indicate that only methods inherited by the implementation should be performed in response to the message.

Methods with no other valid return typically return `void`.

Naming Conventions

The names of files that contain Objective-C source code have the `.m` extension. Files that declare class and category interfaces or that declare protocols have the `.h` extension typical of header files.

Class, category, and protocol names generally begin with an uppercase letter; the names of methods and instance variables typically begin with a lowercase letter. The names of variables that hold instances usually also begin with lowercase letters.

In Objective-C, identical names that serve different purposes don't clash. Within a class, names can be freely assigned:

- A class can declare methods with the same names as methods in other classes.
- A class can declare instance variables with the same names as variables in other classes.
- An instance method can have the same name as a class method.
- A method can have the same name as an instance variable.
- Method names beginning with “_”, a single underscore character, are reserved for use by Apple.

Likewise, protocols and categories of the same class have protected name spaces:

- A protocol can have the same name as a class, a category, or anything else.
- A category of one class can have the same name as a category of another class.

However, class names are in the same name space as global variables and defined types. A program can't have a global variable with the same name as a class.

Grammar

This appendix presents a formal grammar for the Objective-C extensions to the C language—as the Objective-C language is implemented for the Cocoa development environment. It adds to the grammar for ANSI standard C found in Appendix A of *The C Programming Language* (second edition, 1988) by Brian W. Kernighan and Dennis M. Ritchie, published by Prentice Hall, and should be read in conjunction with that book.

The Objective-C extensions introduce some new symbols (such as *class interface*), but also make use of symbols (such as *function definition*) that are explained in the standard C grammar. The symbols mentioned but not explained here are listed below:

compound-statement
constant
declaration
declaration-list
enum-specifier
expression
function-definition
identifier
parameter-type-list
string
struct-declaration-list
struct-or-union
typedef-name
type-name

Of these, *identifier* and *string* are undefined terminal symbols. Objective-C adds no undefined terminal symbols of its own.

Two notational conventions used here differ from those used in *The C Programming Language*:

- Literal symbols are shown in code font.
- Brackets enclose optional elements.

Otherwise, this appendix attempts to follow the conventions of *The C Programming Language*. Each part of the grammar consists of a symbol and a colon in **bold** and a list of mutually-exclusive possibilities for expanding the symbol. For example:

receiver:*expression**class-name**super*

However, there is an exception: Even though they're not mutually exclusive, the constituents of classes, categories, protocols, and blocks are listed on separate lines to clearly show the ordering of elements. For example:

protocol-declaration:`@protocol protocol-name``[protocol-reference-list]``[interface-declaration-list]``@end`

This exception to the general rule is easily recognized since each list terminates with `@end` or the symbol name ends with “-block”.

There are six entry points where the Objective-C language modifies the rules defined for standard C:

- External declarations
- Type specifiers
- Type qualifiers
- Primary expressions
- Exceptions
- Synchronization

This appendix is therefore divided into six sections corresponding to these points. Where a rule in the standard C grammar is modified by an Objective-C extension, the entire rule is repeated in its modified form.

External Declarations

external-declaration:*function-definition**declaration**class-interface**class-implementation**category-interface**category-implementation**protocol-declaration**protocol-declaration-list**class-declaration-list***class-interface:**`@interface class-name [: superclass-name]`

```

[ protocol-reference-list ]
[ instance-variables ]
[ interface-declaration-list ]
@end
class-implementation:
@implementation class-name [ : superclass-name ]
[ implementation-definition-list ]
@end
category-interface:
@interface class-name ( category-name )
[ protocol-reference-list ]
[ interface-declaration-list ]
@end
category-implementation:
@implementation class-name ( category-name )
[ implementation-definition-list ]
@end
protocol-declaration:
@protocol protocol-name
[ protocol-reference-list ]
[ interface-declaration-list ]
@end
protocol-declaration-list:
@protocol protocol-list ;
class-declaration-list:
@class class-list ;
class-list:
class-name
class-list , class-name
protocol-reference-list:
< protocol-list >
protocol-list:
protocol-name
protocol-list , protocol-name
class-name:
identifier
superclass-name:
identifier
category-name:
identifier
protocol-name:
identifier
instance-variables:
{ instance-variable-declaration }
instance-variable-declaration:

```

*visibility-specification**struct-declaration-list instance-variables**instance-variable-declaration visibility-specification**instance-variable-declaration struct-declaration-list instance-variables***visibility-specification:***@private**@protected**@package**@public***interface-declaration-list:***declaration**method-declaration**interface-declaration-list declaration**interface-declaration-list method-declaration***method-declaration:***class-method-declaration**instance-method-declaration***class-method-declaration:***+ [method-type] method-selector ;***instance-method-declaration:***- [method-type] method-selector ;***implementation-definition-list:***function-definition**declaration**method-definition**implementation-definition-list function-definition**implementation-definition-list declaration**implementation-definition-list method-definition***method-definition:***class-method-definition**instance-method-definition***class-method-definition:***+ [method-type] method-selector [declaration-list] compound-statement***instance-method-definition:***- [method-type] method-selector [declaration-list] compound-statement***method-selector:***unary-selector**keyword-selector [, . . .]**keyword-selector [, parameter-type-list]***unary-selector:***selector***keyword-selector:***keyword-declarator**keyword-selector keyword-declarator***keyword-declarator:**

: [*method-type*] *identifier*
selector : [[*method-type*] *method-type*] *identifier*
selector:
identifier
method-type:
 (*type-name*)

Type Specifiers

type-specifier:
 void
 char
 short
 int
 long
 float
 double
 signed
 unsigned
 id [*protocol-reference-list*]
class-name [*protocol-reference-list*]
struct-or-union-specifier
enum-specifier
typedef-name
struct-or-union-specifier:
struct-or-union [*identifier*] { *struct-declaration-list* }
struct-or-union *identifier*

Type Qualifiers

type-qualifier:
 const
 volatile
protocol-qualifier
protocol-qualifier:
 in
 out
 inout
 bycopy
 byref
 oneway

Primary Expressions

primary-expression:*identifier**constant**string**(expression)**self**message-expression**selector-expression**protocol-expression**encode-expression***message-expression:***[receiver message-selector]***receiver:***expression**class-name**super***message-selector:***selector**keyword-argument-list***keyword-argument-list:***keyword-argument**keyword-argument-list keyword-argument***keyword-argument:***selector : expression**: expression***selector-expression:***@selector (selector-name)***selector-name:***selector**keyword-name-list***keyword-name-list:***keyword-name**keyword-name-list keyword-name***keyword-name:***selector :**:***protocol-expression:***@protocol (protocol-name)***encode-expression:***@encode (type-name)*

Exceptions

exception-declarator:*declarator***try-statement:***@trystatement***catch-statement:***@catch (exception-declarator)statement***finally-statement:***@finallystatement***throw-statement:***@throw (identifier)***try-block:***try-statement**catch-statement**[finally-statement]*

Synchronization

synchronized-statement:*@synchronized (identifier) statement*

Glossary

abstract class A class that's defined solely so that other classes can inherit from it. Programs don't use instances of an abstract class, only of its subclasses.

abstract superclass Same as [abstract class](#).

adopt In the Objective-C language, a class is said to adopt a protocol if it declares that it implements all the methods in the protocol. Protocols are adopted by listing their names between angle brackets in a class or category declaration.

anonymous object An object of unknown class. The interface to an anonymous object is published through a protocol declaration.

Application Kit A Cocoa framework that implements an application's user interface. The Application Kit provides a basic program structure for applications that draw on the screen and respond to events.

archiving The process of preserving a data structure, especially an object, for later use. An archived data structure is usually stored in a file, but it can also be written to memory, copied to the pasteboard, or sent to another application. In Cocoa, archiving involves writing data to an `NSData` object.

asynchronous message A remote message that returns immediately, without waiting for the application that receives the message to respond. The sending application and the receiving application act independently, and are therefore not "in sync." See also [synchronous message](#).

category In the Objective-C language, a set of method definitions that is segregated from the rest of the class definition. Categories can be used to split a class definition into parts or to add methods to an existing class.

class In the Objective-C language, a prototype for a particular kind of object. A class definition declares instance variables and defines methods for all members of the class. Objects that have the same types of instance variables and have access to the same methods belong to the same class. See also [class object](#).

class method In the Objective-C language, a method that can operate on class objects rather than instances of the class.

class object In the Objective-C language, an object that represents a class and knows how to create new instances of the class. Class objects are created by the compiler, lack instance variables, and can't be statically typed, but otherwise behave like all other objects. As the receiver in a message expression, a class object is represented by the class name.

Cocoa An advanced object-oriented development platform on Mac OS X. Cocoa is a set of frameworks with programming interfaces in both Java and Objective-C.

compile time The time when source code is compiled. Decisions made at compile time are constrained by the amount and kind of information encoded in source files.

conform In the Objective-C language, a class is said to conform to a protocol if it (or a superclass) implements the methods declared in the protocol. An instance conforms to a protocol if its class does.

Thus, an instance that conforms to a protocol can perform any of the instance methods declared in the protocol.

content view In the Application Kit, the `NSView` object that's associated with the content area of a window—all the area in the window excluding the title bar and border. All other views in the window are arranged in a hierarchy beneath the content view.

delegate An object that acts on behalf of another object.

designated initializer The `init...` method that has primary responsibility for initializing new instances of a class. Each class defines or inherits its own designated initializer. Through messages to `self`, other `init...` methods in the same class directly or indirectly invoke the designated initializer, and the designated initializer, through a message to `super`, invokes the designated initializer of its superclass.

dispatch table Objective-C runtime table that contains entries that associate method selectors with the class-specific addresses of the methods they identify.

distributed objects Architecture that facilitates communication between objects in different address spaces.

dynamic allocation Technique used in C-based languages where the operating system provides memory to a running application as it needs it, instead of when it launches.

dynamic binding Binding a method to a message—that is, finding the method implementation to invoke in response to the message—at runtime, rather than at compile time.

dynamic typing Discovering the class of an object at runtime rather than at compile time.

encapsulation Programming technique that hides the implementation of an operation from its users behind an abstract interface. This allows the implementation to be updated or changed without impacting the users of the interface.

event The direct or indirect report of external activity, especially user activity on the keyboard and mouse.

factory Same as [class object](#).

factory method Same as [class method](#).

factory object Same as [class object](#).

formal protocol In the Objective-C language, a protocol that's declared with the `@protocol` directive. Classes can adopt formal protocols, objects can respond at runtime when asked if they conform to a formal protocol, and instances can be typed by the formal protocols they conform to.

framework A way to package a logically-related set of classes, protocols and functions together with localized strings, on-line documentation, and other pertinent files. Cocoa provides the Foundation framework and the Application Kit framework, among others. Frameworks are sometimes referred to as “kits.”

gdb The standard Mac OS X debugging tool.

id In the Objective-C language, the general type for any kind of object regardless of class. `id` is defined as a pointer to an object data structure. It can be used for both class objects and instances of a class.

implementation Part of an Objective-C class specification that defines its implementation. This section defines both public methods as well as private methods—methods that are not declared in the class's interface.

informal protocol In the Objective-C language, a protocol declared as a category, usually as a category of the `NSObject` class. The language gives explicit support to formal protocols, but not to informal ones.

inheritance In object-oriented programming, the ability of a superclass to pass its characteristics (methods and instance variables) on to its subclasses.

inheritance hierarchy In object-oriented programming, the hierarchy of classes that's defined by the arrangement of superclasses and

subclasses. Every class (except root classes such as `NSObject`) has a superclass, and any class may have an unlimited number of subclasses. Through its superclass, each class inherits from those above it in the hierarchy.

instance In the Objective-C language, an object that belongs to (is a member of) a particular class. Instances are created at runtime according to the specification in the class definition.

instance method In the Objective-C language, any method that can be used by an instance of a class rather than by the class object.

instance variable In the Objective-C language, any variable that's part of the internal data structure of an instance. Instance variables are declared in a class definition and become part of all objects that are members of or inherit from the class.

interface Part of an Objective-C class specification that declares its public interface, which include its superclass name, instances variables, and public-method prototypes.

Interface Builder A tool that lets you graphically specify your application's user interface. It sets up the corresponding objects for you and makes it easy for you to establish connections between these objects and your own code where needed.

introspection The ability of an object to reveal information about itself as an object—such as its class and superclass, the messages it can respond to, and the protocols it conforms to.

key window The window in the active application that receives keyboard events and is the focus of user activity.

link time The time when files compiled from different source modules are linked into a single program. Decisions made by the linker are constrained by the compiled code and ultimately by the information contained in source code.

localize To adapt an application to work under various local conditions—especially to have it use a language selected by the user. Localization entails freeing application code from language-specific and culture-specific references

and making it able to import localized resources (such as character strings, images, and sounds). For example, an application localized in Spanish would display “Salir” in the application menu. In Italian, it would be “Esci,” in German “Verlassen,” and in English “Quit.”

main event loop The principal control loop for applications that are driven by events. From the time it's launched until the moment it's terminated, an application gets one keyboard or mouse event after another from the Window Manager and responds to them, waiting between events if the next event isn't ready. In the Application Kit, the `NSApplication` object runs the main event loop.

menu A small window that displays a list of commands. Only menus for the active application are visible on-screen.

message In object-oriented programming, the method selector (name) and accompanying arguments that tell the receiving object in a message expression what to do.

message expression In object-oriented programming, an expression that sends a message to an object. In the Objective-C language, message expressions are enclosed within square brackets and consist of a receiver followed by a message (method selector and arguments).

method In object-oriented programming, a procedure that can be executed by an object.

multiple inheritance In object-oriented programming, the ability of a class to have more than one superclass—to inherit from different sources and thus combine separately-defined behaviors in a single class. Objective-C doesn't support multiple inheritance.

mutex Also known as mutual exclusion semaphore. Used to synchronize thread execution.

name space A logical subdivision of a program within which all names must be unique. Symbols in one name space won't conflict with identically named symbols in another name space. For example, in Objective-C, the instance methods of each class are in a separate name space, as are the class methods and instance variables.

nil In the Objective-C language, an object id with a value of 0.

object A programming unit that groups together a data structure (instance variables) and the operations (methods) that can use or affect that data. Objects are the principal building blocks of object-oriented programs.

outlet An instance variable that points to another object. Outlet instance variables are a way for an object to keep track of the other objects to which it may need to send messages.

polymorphism In object-oriented programming, the ability of different objects to respond, each in its own way, to the same message.

procedural programming language A language, like C, that organizes a program as a set of procedures that have definite beginnings and ends.

protocol In the Objective-C language, the declaration of a group of methods not associated with any particular class. See also [formal protocol](#) and [informal protocol](#).

receiver In object-oriented programming, the object that is sent a message.

reference counting Memory-management technique in which each entity that claims ownership of an object increments the object's reference count and later decrements it. When the object's reference count reaches zero, the object is deallocated. This technique allows one instance of an object to be safely shared among several other objects.

remote message A message sent from one application to an object in another application.

remote object An object in another application, one that's a potential receiver for a remote message.

runtime The time after a program is launched and while it's running. Decisions made at runtime can be influenced by choices the user makes.

selector In the Objective-C language, the name of a method when it's used in a source-code message to an object, or the unique identifier that replaces the name when the source code is compiled. Compiled selectors are of type SEL.

static typing In the Objective-C language, giving the compiler information about what kind of object an instance is, by typing it as a pointer to a class.

subclass In the Objective-C language, any class that's one step below another class in the inheritance hierarchy. Occasionally used more generally to mean any class that inherits from another class, and sometimes also used as a verb to mean the process of defining a subclass of another class.

superclass In the Objective-C language, a class that's one step above another class in the inheritance hierarchy; the class through which a subclass inherits methods and instance variables.

surrogate An object that stands in for and forwards messages to another object.

synchronous message A remote message that doesn't return until the receiving application finishes responding to the message. Because the application that sends the message waits for an acknowledgment or return information from the receiving application, the two applications are kept "in sync." See also [asynchronous message](#).

Document Revision History

This table describes the changes to *The Objective-C 2.0 Programming Language*.

Date	Notes
2007-10-31	Provided an example of fast enumeration for dictionaries and enhanced the description of properties.
2007-07-22	Added references to documents describing new features in Objective-C 2.
2007-03-26	Corrected minor typographical errors.
2007-02-08	Clarified the discussion of sending messages to nil.
2006-12-05	Clarified the description of Code Listing 3-3.
2006-05-23	Moved the discussion of memory management to "Memory Management Programming Guide for Cocoa."
2006-04-04	Corrected minor typographical errors.
2006-02-07	Corrected minor typographical errors.
2006-01-10	Clarified use of the static specifier for global variables used by a class.
2005-10-04	Clarified effect of sending messages to nil; noted use of ".mm" extension to signal Objective-C++ to compiler.
2005-04-08	Corrected typo in language grammar specification and modified a code example.
	Corrected the grammar for the protocol-declaration-list declaration in " External Declarations " (page 136).
	Clarified example in Listing 11-1 (page 97).
2004-08-31	Removed function and data structure reference. Added exception and synchronization grammar. Made technical corrections and minor editorial changes.
	Moved function and data structure reference to <i>Objective-C 2.0 Runtime Reference</i> .

REVISION HISTORY

Document Revision History

Date	Notes
	Added examples of thread synchronization approaches to “Synchronizing Thread Execution”.
	Clarified when the <code>initialize</code> method is called and provided a template for its implementation in “Initializing a Class Object”.
	Added exception and synchronization grammar to “Grammar”.
	Replaced <code>conformsTo:</code> with <code>conformsToProtocol:</code> throughout document.
2004-02-02	Corrected typos in “An exception handler”.
2003-09-16	Corrected definition of <code>id</code> .
2003-08-14	Documented the Objective-C exception and synchronization support available in Mac OS X version 10.3 and later in “Exception Handling and Thread Synchronization”.
	Documented the language support for concatenating constant strings in “ Compiler Directives ” (page 128).
	Moved “Memory Management” before “Retaining Objects”.
	Corrected the descriptions for the <code>Ivar</code> structure and the <code>objc_ivar_list</code> structure.
	Changed the font of <i>function result</i> in <code>class_getInstanceMethod</code> and <code>class_getClassMethod</code> .
	Corrected definition of the term <i>conform</i> in the glossary.
	Corrected definition of <code>method_getArgumentInfo</code> .
	Renamed from <i>Inside Mac OS X: The Objective-C Programming Language</i> to <i>The Objective-C Programming Language</i> .
2003-01-01	Documented the language support for declaring constant strings. Fixed several typographical errors. Added an index.
2002-05-01	Mac OS X 10.1 introduces a compiler for Objective-C++, which allows C++ constructs to be called from Objective-C classes, and vice versa.
	Added runtime library reference material.
	Fixed a bug in the Objective-C language grammar’s description of instance variable declarations.
	Updated grammar and section names throughout the book to reduce ambiguities, passive voice, and archaic tone. Restructured some sections to improve cohesiveness.
	Renamed from <i>Object Oriented Programming and the Objective-C Language</i> to <i>Inside Mac OS X: The Objective-C Programming Language</i> .

Index

Symbols

+ (plus sign) before method names 32
- (minus sign) before method names 32
// marker comment 128
@" directive (string declaration) 129
_cmd 81, 90, 132
__cplusplus preprocessor constant 99
__OBJC__ preprocessor constant 99

A

abstract classes 23, 63
action messages 80
adaptation 21
adopting a protocol 66, 131
alloc method 26, 105
allocating memory 110
allocWithZone: method 105
anonymous objects 63
argument types
 and dynamic binding 89
 and selectors 89
 declaring 32
 encoding 123
 in declarations 132
arguments
 during initialization 106
 hidden 81, 132
 in remote messages 120
 specifying 17
 type modifiers 121
 variable 17

B

behaviors
 inheriting 115

 of Cocoa objects 118
 of NSObject class 104
 overriding 122
BOOL data type 128
bycopy type qualifier 125, 132
byref type qualifier 125, 132

C

.c extension 12
C language support 11
C++ language support 97–101
@catch() directive 91, 92, 129
categories 41–43
 See also subclasses
 and informal protocols 65
 declaration of 41–42
 declaring 130
 defining 130
 implementation of 41–42
 loading dynamically 117
 naming conventions 133
 of root classes 43
 scope of variables 42
 uses of 42, 65
Class data type 25, 127
@class directive 33, 129
class method 104
class methods
 and selectors 78
 and static variables 28
 declaration of 32, 132
 defined 25
 of root class 29
 using self 85
class object
 defined 20
 initializing 28
class objects 25–29
 and root class 29
 and root instance methods 29, 43

- and static typing 29
- as receivers of messages 30
- variables and 27
- classes 20–30
 - root. *See* root classes
 - abstract 23
 - and inheritance 20, 22
 - and instances 20
 - and namespaces 133
 - declaring 32–34, 130, 133
 - defining 31–39, 130
 - designated initializer of 108
 - examples 15
 - identifying 16
 - implementation of 31, 34
 - instance methods 25
 - interfaces 31
 - introspection 16, 24
 - loading dynamically 117
 - naming conventions 133
 - subclasses 20
 - superclass 20
 - uses of 29
- comment marker (//) 128
- compiler directives, summary of 128
- conforming to protocols 61
- conformsToProtocol: method 104, 119
- const type qualifier 125
- conventions of this book 13
- customization with class objects 26–27

D

- data members. *See* instance variables
- data structures. *See* instance variables
- data types defined by Objective-C 127
- designated initializer 108–110
- development environment 12
- directives, summary of 128–129
- dispatch tables 76
- dispatching messages 75
- distributed objects 118
- doesNotRecognizeSelector: method 113
- dynamic binding 19–20
- dynamic loading 117
- dynamic typing 16

E

- @encode() directive 123, 129

- encoding methods 123
- @end directive 32, 34, 128
- exceptions 91–93
 - catching 92
 - clean-up processing 93
 - compiler switch 91, 95
 - exception handler 92
 - nesting exception handlers 93
 - NSError 91, 92
 - synchronization 96
 - system requirements 91, 95
 - throwing 92, 93

F

- @finally directive 91, 93, 129
- formal protocols 64, 131
 - See also* protocols
- forwarding messages 112–116
- forwardInvocation: method 112

G

- GNU Compiler Collection 12

H

- .h extension 31, 133
- hidden arguments 81, 132

I

- id data type 127
 - and method declarations 132
 - and static typing 24, 88
 - as default method return type 32
 - of class objects 25
 - overview 15
- IMP data type 127
- @implementation directive 34, 128
- implementation files 31, 35
- implementation
 - of classes 34–39, 130
 - of methods 35, 132
- #import directive 33, 128
- in type qualifier 125, 131
- #include directive 33

`#include` directive *See* `#import` directive

informal protocols 65

See also protocols

inheritance 20–23

and forwarding 115

of instance variables 106

of interface files 33

`init` method 26, 105

`initialize` method 28

initializing objects 84, 110

`inout` type qualifier 125, 132

instance methods 25

and selectors 78

declaration of 132

declaring 32

naming conventions 133

syntax 32

instance variables

declaring 22, 32, 129

defined 15

encapsulation 37

inheriting 22, 38

initializing 106

naming conventions 133

of the receiver 18

public access to 129

referring to 35

scope of 15, 36–39, 129

instances of a class

allocating 104–105

creating 26

defined 20

initializing 26, 104–111

instances of the class

See also objects

`@interface` directive 32, 128, 130

interface files 33, 130

introspection 16, 24

`isa` instance variable 16, 26, 77

`isKindOfClass:` method 24, 30, 104

`isMemberOfClass:` method 24, 104

and static typing 88

asynchronous 120

binding 88

defined 17, 127

encoding 123

forwarding 112–116

remote 117

sending 17, 18

synchronous 120

syntax 127

varying at runtime 20, 79

messaging 75–85

avoiding errors 80

to remote objects 117–122

metaclass object 26

method implementations 35, 132

`methodForSelector:` method 90, 104

methods 15

See also behaviors

See also messages

adding with categories 41

address of 90

and selectors 19, 78

and variable arguments 33

argument types 79

arguments 89, 106

calling `super` 106

class methods 25

declaring 32, 132

encoding 123

hidden arguments 132

implementing 35, 132

inheriting 22

instance methods 25

naming conventions 133

overriding 23

return types 79, 89

returning values 16, 17

selecting 19

specifying arguments 17

using instance variables 35

minus sign (-) before method names 32

`.mm` extension 12

multiple inheritance 113

M

`.m` extension 12, 31, 133

memory

allocating 105, 110

message expressions 17, 127

message receivers 127

messages 75–81

See also methods

and selectors 19

N

name spaces 133

naming conventions 133

`Nil` constant 128

`nil` constant 16, 128

`NO` constant 128

NSBundle 117
 NSStringFromClass function 30
 NSError 91, 92
 NSInvocation 112
 NSObject 20, 21, 104
 NSSelectorFromString function 78
 NSStringFromSelector function 78

O

objc_loadModules function 117
 objc_msgSend function 75, 77
 objc_object structure 76
 object 15
 object identifiers 15
 Objective-C 11
 Objective-C++ 97
 objects 15, 20
 See also class objects, Protocol objects
 allocating memory for 105
 anonymous 63
 creating 26
 customizing 26
 designated initializer 108
 dynamic typing 16, 87
 examples 15
 initializing 26, 84, 105, 110
 initializing a class object 28
 instance variables 18
 introspection 24
 method inheritance 22
 Protocol 66
 remote 63
 static typing 87
 surrogate 114–115
 oneway type qualifier 125, 131
 out type qualifier 125, 132
 overriding methods 23

P

parameters. *See* arguments
 performSelector: method 79
 performSelector:withObject: method 79
 performSelector:withObject:withObject: method 79
 plus sign (+) before method names 32
 polymorphism
 defined 19
 precompiled headers 33

preprocessor directives, summary of 128
 @private directive 37, 129
 procedures. *See* methods
 @protected directive 37, 129
 @protocol directive 70, 119, 128, 129, 131
 Protocol objects 66
 protocols 61–70
 adopting 68, 131
 conforming to 61, 67, 68
 declaring 61, 131
 formal 64
 forward references to 70, 131
 incorporating other protocols 68–69, 131
 informal 65
 naming conventions 133
 type checking 68
 uses of 61–70
 proxy objects 114, 118
 @public directive 37, 129

R

receivers of messages
 and class names 30
 defined 127
 in messaging expression 17
 in messaging function 75
 instance variables of 18
 remote messages 117
 remote objects 63
 remote procedure calls (RPC) 120
 respondsToSelector: method 80, 104
 return types
 and messaging 79
 and statically typed objects 89
 declaration of 32
 encoding 123
 root classes
 See also NSObject
 and class interface declarations 32
 and inheritance 20
 categories of 43
 declaration of 130
 runtime system
 functions 104
 overview 103

S

SEL data type 78, 127

[@selector\(\) directive](#) [78, 129](#)
[selectors](#) [78](#)
 and hidden arguments [81](#)
 and messaging errors [80](#)
 defined [19](#)
 in messaging function [75](#)
[self](#) [81, 82, 85, 90, 132](#)
[Smalltalk](#) [11](#)
[specialization](#) [21](#)
[static type checking](#) [88](#)
[static typing](#) [87–90](#)
 and instance variables [36](#)
 in interface files [34](#)
 introduced [24](#)
 to inherited classes [89](#)
[strings, declaring](#) [129](#)
[subclasses](#) [20](#)
[super variable](#) [82, 84, 132](#)
[superclasses](#)
 See also [abstract classes](#)
 and inheritance [20](#)
 importing [33](#)
[surrogate objects](#) [114](#)
[synchronization](#) [95–96](#)
 compiler switch [91, 95](#)
 exceptions [96](#)
 mutexes [95](#)
 system requirements [91, 95](#)
[@synchronized\(\) directive](#) [95, 129](#)

T

[target-action paradigm](#) [79–80](#)
[targets](#) [80](#)
[this keyword](#) [100](#)
[@throw directive](#) [91, 92, 93, 129](#)
[@try directive](#) [91, 129](#)
[type checking](#)
 class types [87, 88](#)
 protocol types [68](#)
[type encoding](#) [123–125](#)
[type introspection](#) [24](#)
[types defined by Objective-C](#) [127](#)

U

[unsigned int data type](#) [132](#)

V

[variable arguments](#) [33](#)
[void data type](#) [132](#)

Y

[YES constant](#) [128](#)